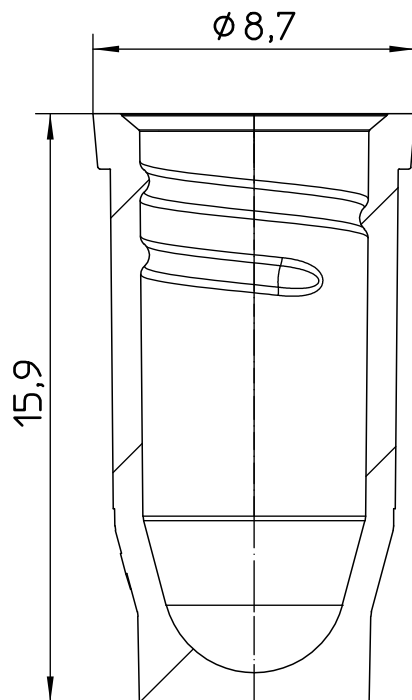
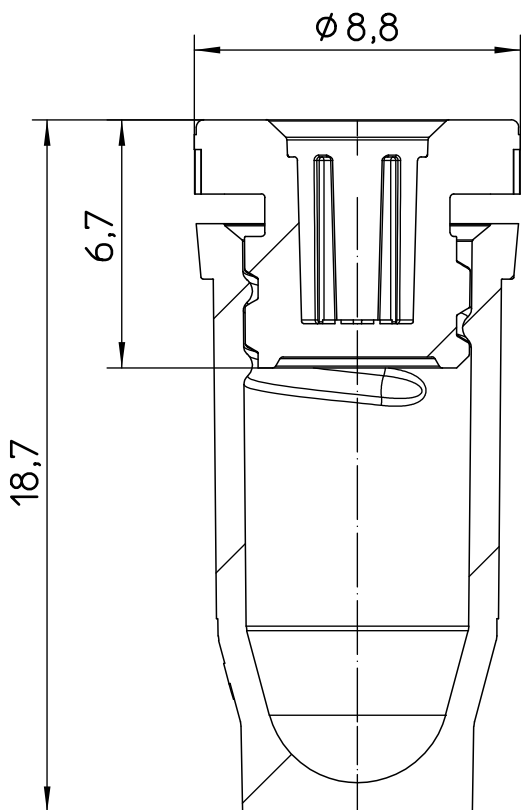
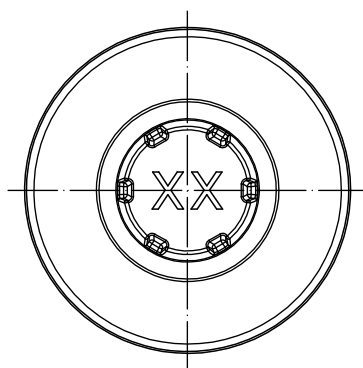


Valid for Item-No.: 976561, 976563, 976564, 976565, 976566, 976567, 976568, 976569, 976570, 976580, 976583, 976584, 976585, 976586, 976587, 976588, 976589, 976561-2D1, 976566-BBG, 976580-01, 976580-166, 976580-2D1



contents of tube
with screw cap
276.5µl

total volume tube
392.3µl



working volume
in cryo storage
235µl

"All dimensions in mm"

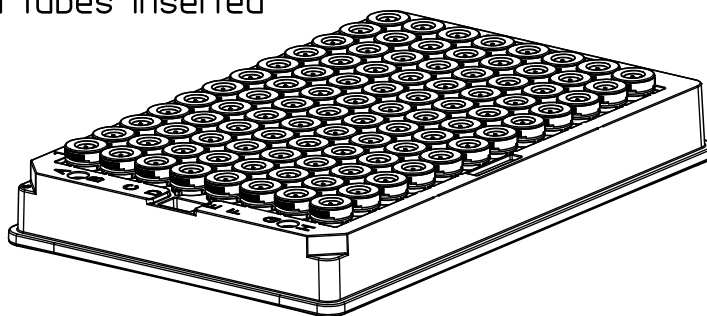
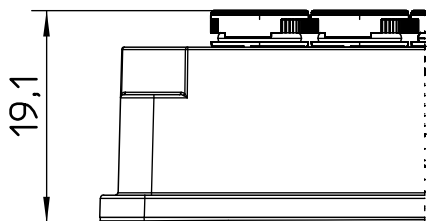
Customer drawing subject to change without notice!

Uncontrolled Copy

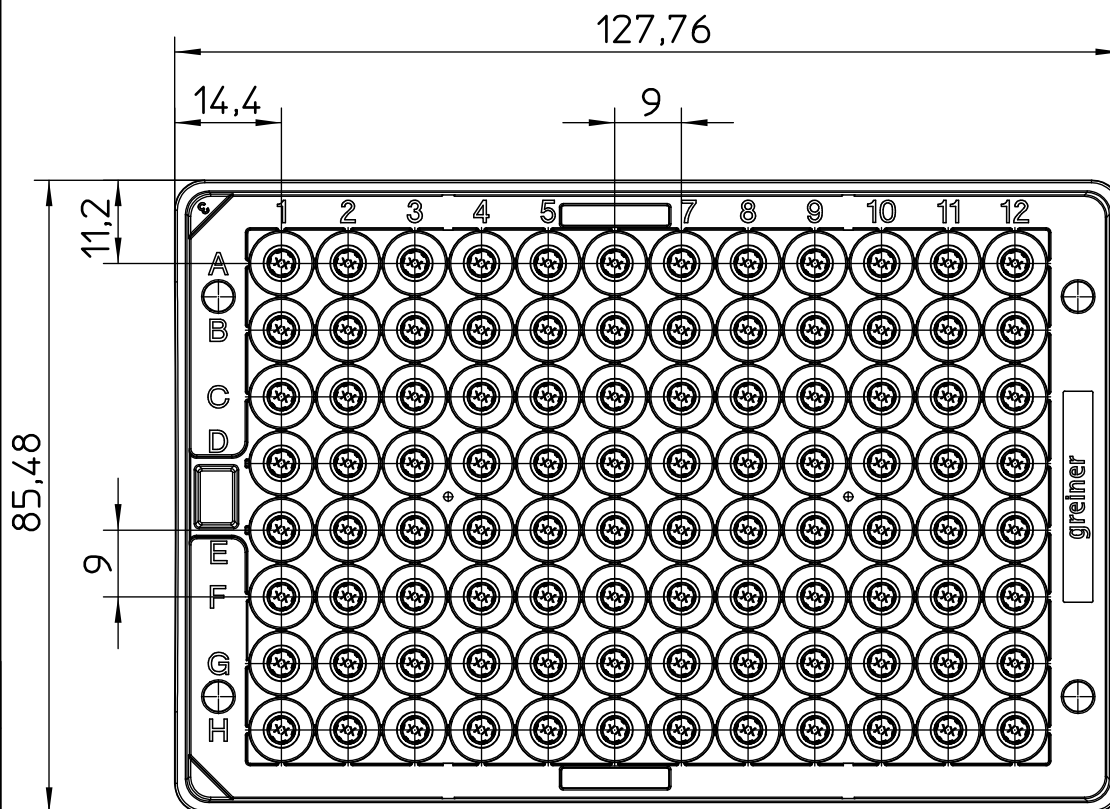
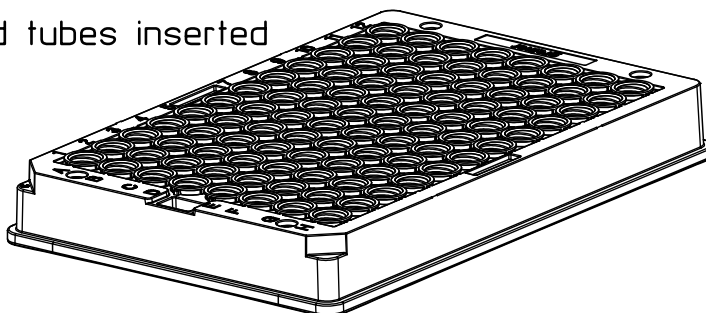
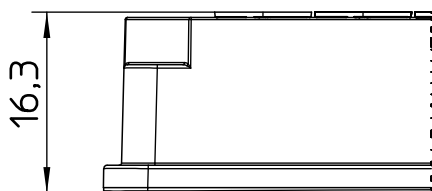
Prior Issue	Drawn	Approved	Released	CONFIDENTIAL: Information contained in this document or drawing is confidential and proprietary to Greiner Bio-One GmbH. This document may not be reproduced for any reason without written permission from Greiner Bio-One GmbH. All rights of design, invention, and copyright are reserved.
Revision 13	Date 2013/08/16	Date 2025/10/07	Date 2025/10/07	
Date 2022/11/03	Name schwarzj	Name kleber	Name ziegler	

Valid for Item-No.: 976561, 976563, 976564, 976565, 976566, 976567, 976568, 976569, 976570, 976580, 976583, 976584, 976585, 976586, 976587, 976588, 976589, 976561-2D1, 976566-BBG, 976580-01, 976580-166, 976580-2D1

with capped tubes inserted



with uncapped tubes inserted



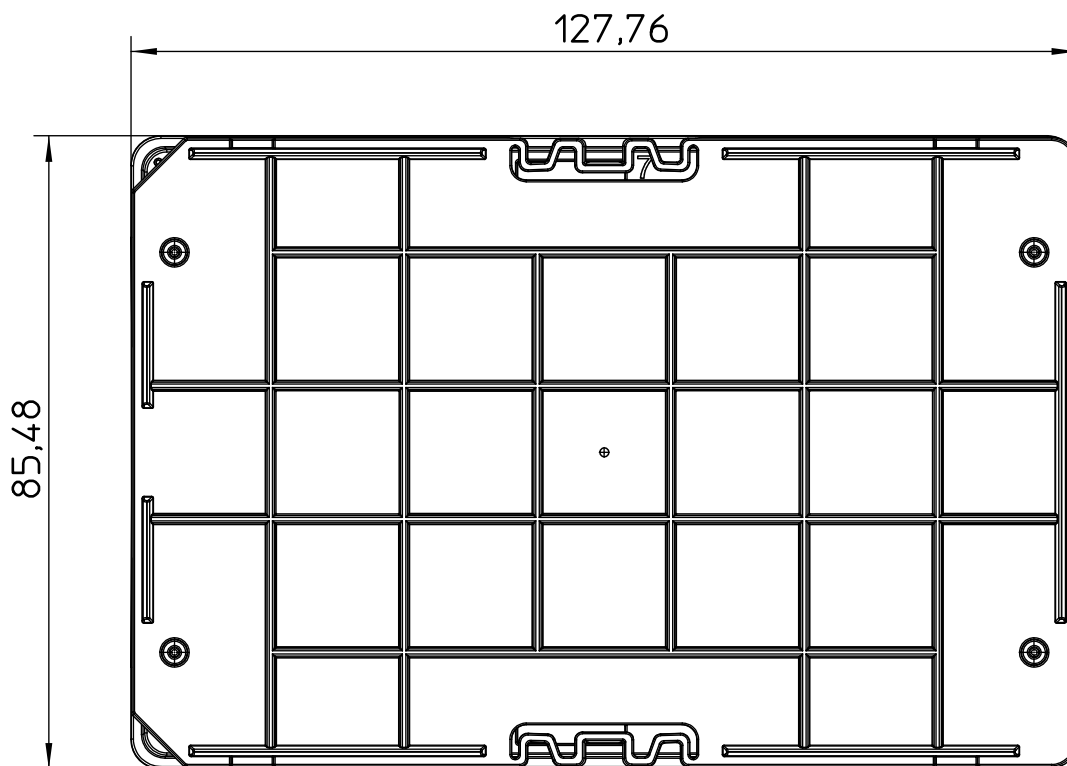
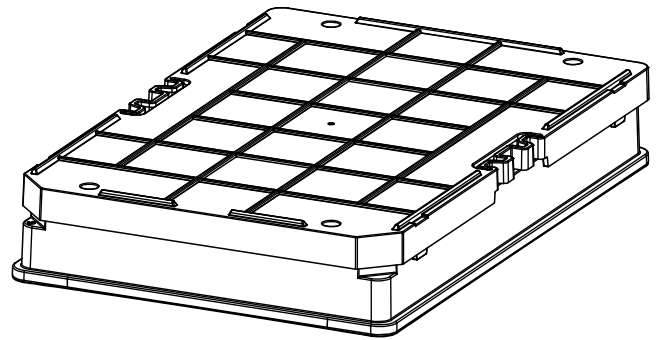
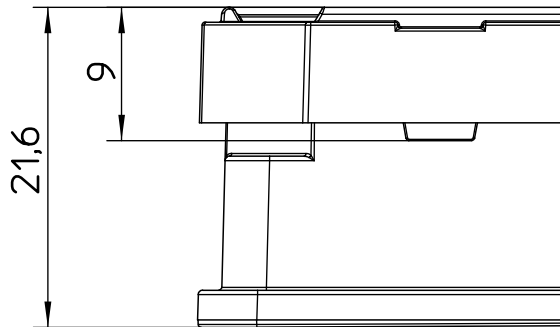
"All dimensions in mm"

Customer drawing subject to change without notice!

Uncontrolled Copy

Prior Issue	Drawn	Approved	Released	CONFIDENTIAL: Information contained in this document or drawing is confidential and proprietary to Greiner Bio-One GmbH. This document may not be reproduced for any reason without written permission from Greiner Bio-One GmbH. All rights of design, invention, and copyright are reserved.
Revision 13	Date 2013/08/16	Date 2025/10/07	Date 2025/10/07	
Date 2022/11/03	Name schwarzj	Name kleber	Name ziegler	

Valid for Item-No.: 976561, 976563, 976564, 976565, 976566, 976567, 976568, 976569, 976570, 976580, 976583, 976584, 976585, 976586, 976587, 976588, 976589, 976561-2D1, 976566-BBG, 976580-01, 976580-166, 976580-2D1



"All dimensions in mm"
Customer drawing subject to change without notice!

Uncontrolled Copy

Prior Issue	Drawn	Approved	Released	CONFIDENTIAL: Information contained in this document or drawing is confidential and proprietary to Greiner Bio-One GmbH. This document may not be reproduced for any reason without written permission from Greiner Bio-One GmbH. All rights of design, invention, and copyright are reserved.
Revision 13	Date 2013/08/16	Date 2025/10/07	Date 2025/10/07	
Date 2022/11/03	Name schwarzj	Name kleber	Name ziegler	