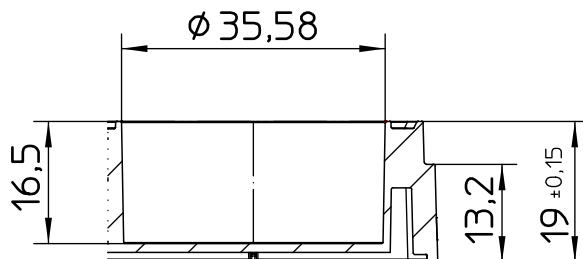
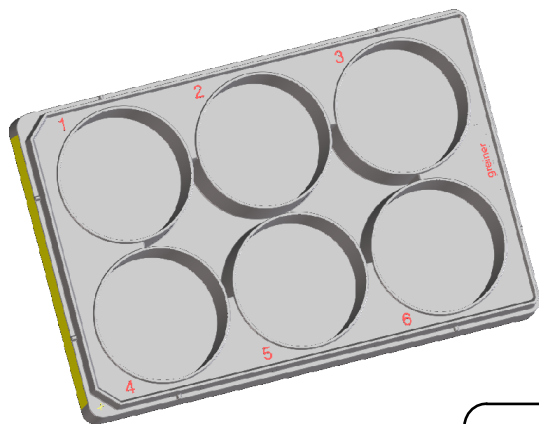
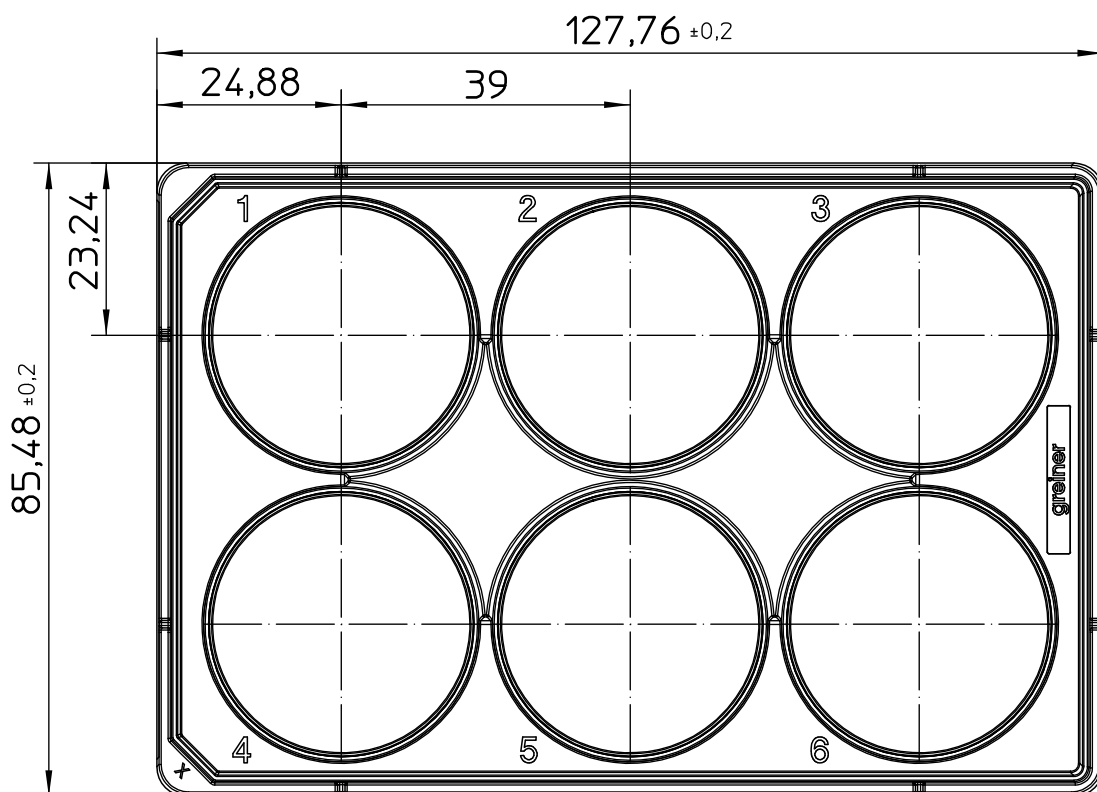
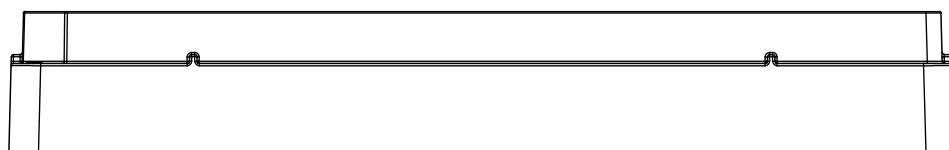


Valid for Item-No.: 657910, 657920, 657930, 657940, 657950, 657960, 657970



Curvature  $\updownarrow$  Max.Diff 0.20



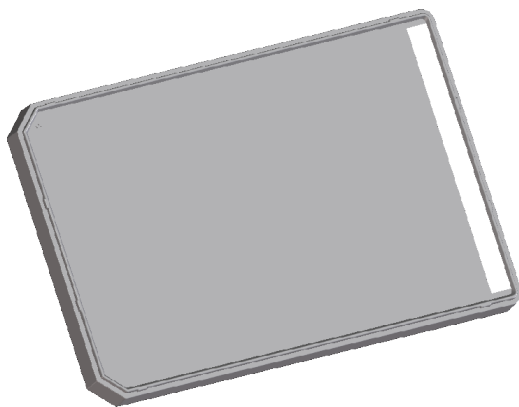
"All dimensions in mm"

Customer drawing subject to change without notice!

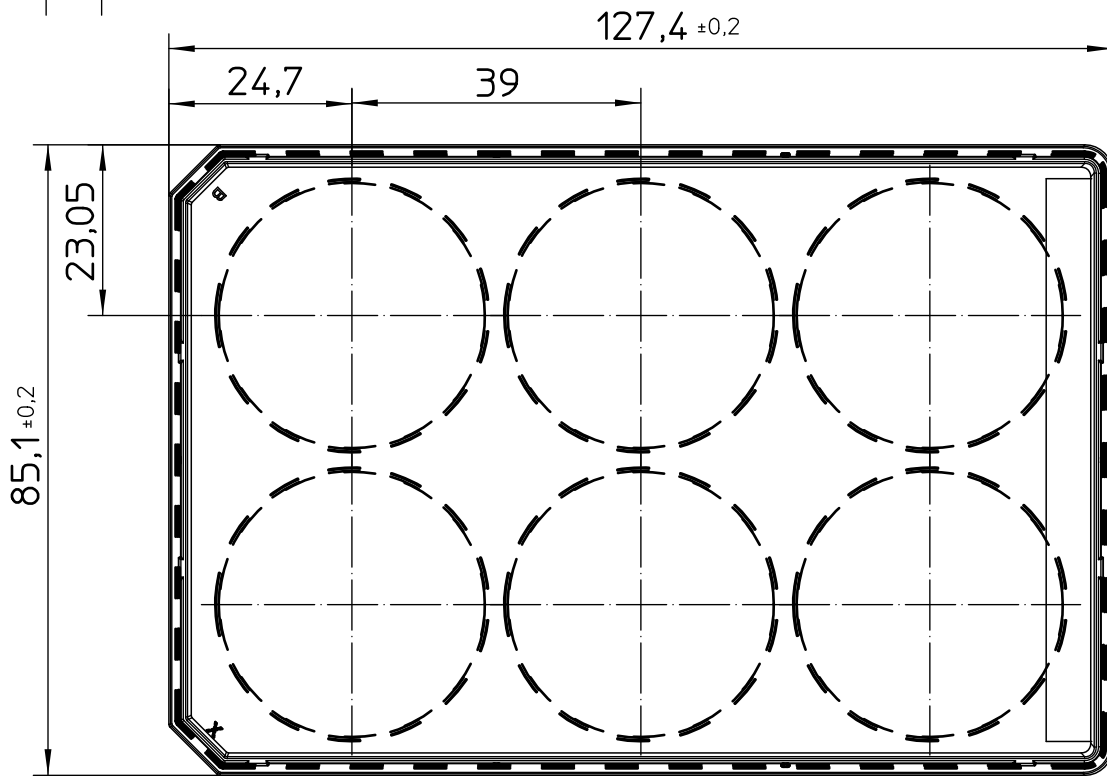
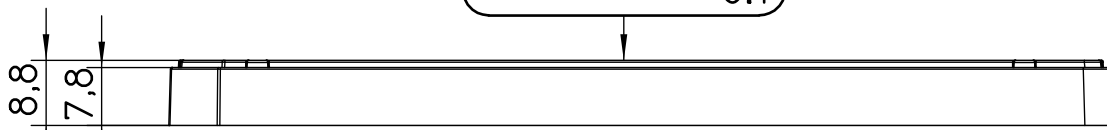
Uncontrolled Copy

Prior Issue	Drawn	Approved	Released	CONFIDENTIAL: Information contained in this document or drawing is confidential and proprietary to Greiner Bio-One GmbH. This document may not be reproduced for any reason without written permission from Greiner Bio-One GmbH. All rights of design, invention, and copyright are reserved.
Revision 7	Date 2018/11/19	Date 2025/12/04	Date 2025/12/04	
Date 2025/12/01	Name forb	Name kleber	Name ziegler	

Valid for Item-No.: 657910, 657920, 657930, 657940, 657950, 657960, 657970



Curvature +0.3  
-0.1



"All dimensions in mm"

Customer drawing subject to change without notice!

Uncontrolled Copy

Prior Issue	Drawn	Approved	Released	CONFIDENTIAL: Information contained in this document or drawing is confidential and proprietary to Greiner Bio-One GmbH. This document may not be reproduced for any reason without written permission from Greiner Bio-One GmbH. All rights of design, invention, and copyright are reserved.
Revision 7	Date 2018/11/19	Date 2025/12/04	Date 2025/12/04	
Date 2025/12/01	Name forb	Name kleber	Name ziegler	