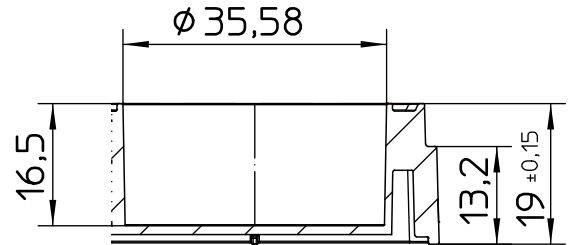
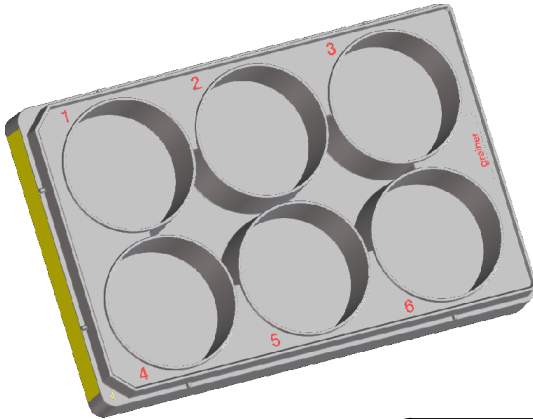
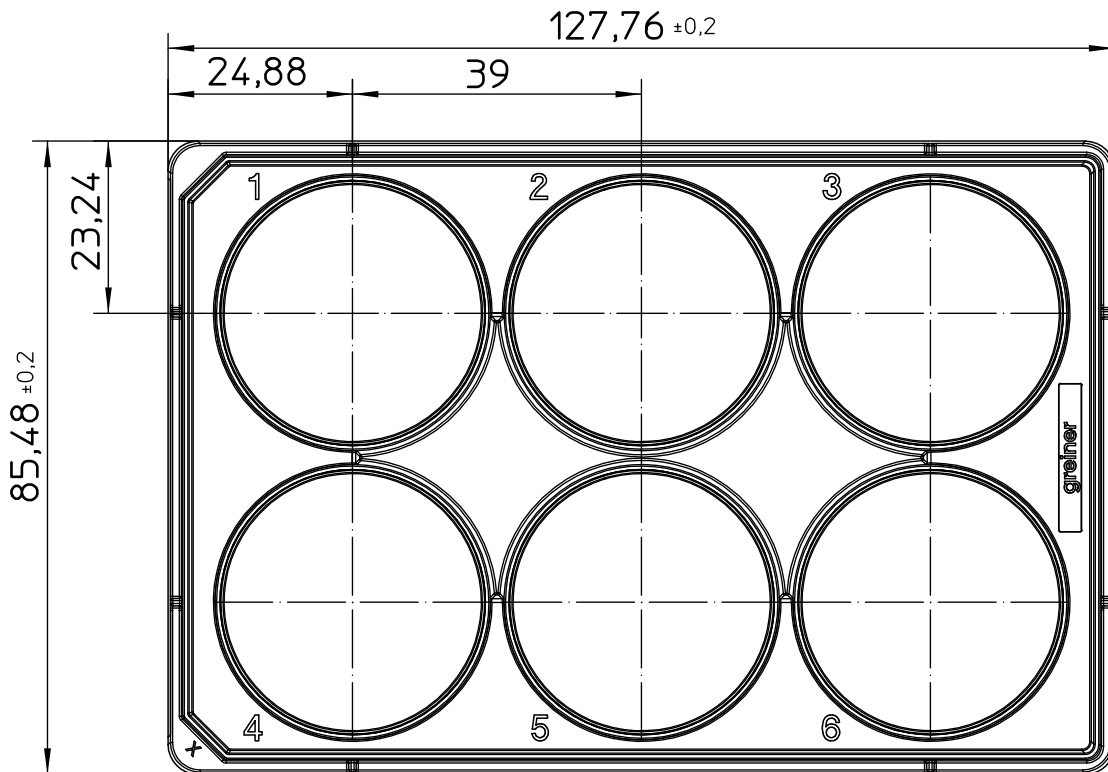
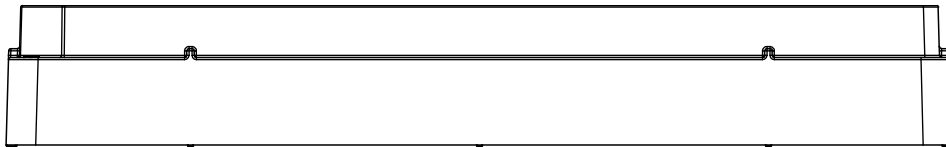


Valid for Item-No.: 657160, 657165, 657185



Curvature \updownarrow Max.Diff 0.20



For this item's
there is also printed
LOT: DATE: SURFACE:

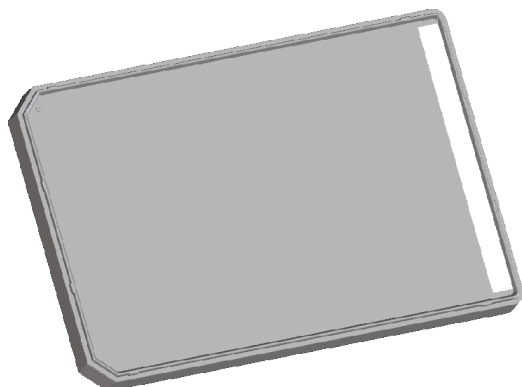
"All dimensions in mm"

Customer drawing subject to change without notice!

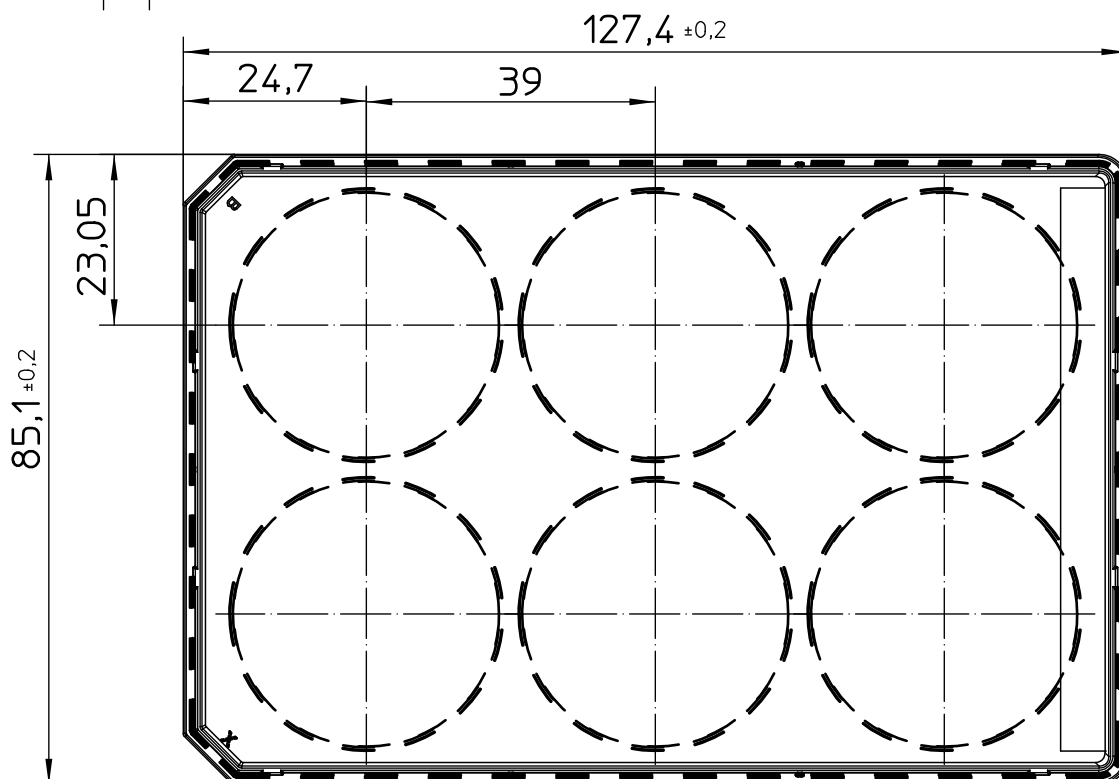
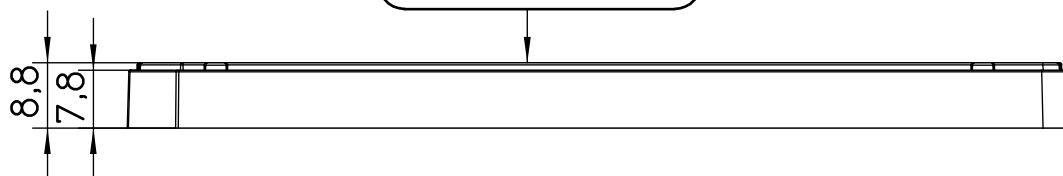
Uncontrolled Copy

Prior Issue	Drawn	Approved	Released	CONFIDENTIAL: Information contained in this document or drawing is confidential and proprietary to Greiner Bio-One GmbH. This document may not be reproduced for any reason without written permission from Greiner Bio-One GmbH. All rights of design, invention, and copyright are reserved.
Revision 4	Date 2018/11/21	Date 2025/12/01	Date 2025/12/01	
Date 2025/01/02	Name forb	Name kleber	Name kronm	

Valid for Item-No.: 657160, 657165, 657185



Curvature +0.3
-0.1



"All dimensions in mm"

Customer drawing subject to change without notice!

Uncontrolled Copy

Prior Issue	Drawn	Approved	Released	CONFIDENTIAL: Information contained in this document or drawing is confidential and proprietary to Greiner Bio-One GmbH. This document may not be reproduced for any reason without written permission from Greiner Bio-One GmbH. All rights of design, invention, and copyright are reserved.
Revision 4	Date 2018/11/21	Date 2025/12/01	Date 2025/12/01	
Date 2025/01/02	Name forb	Name kleber	Name kronm	