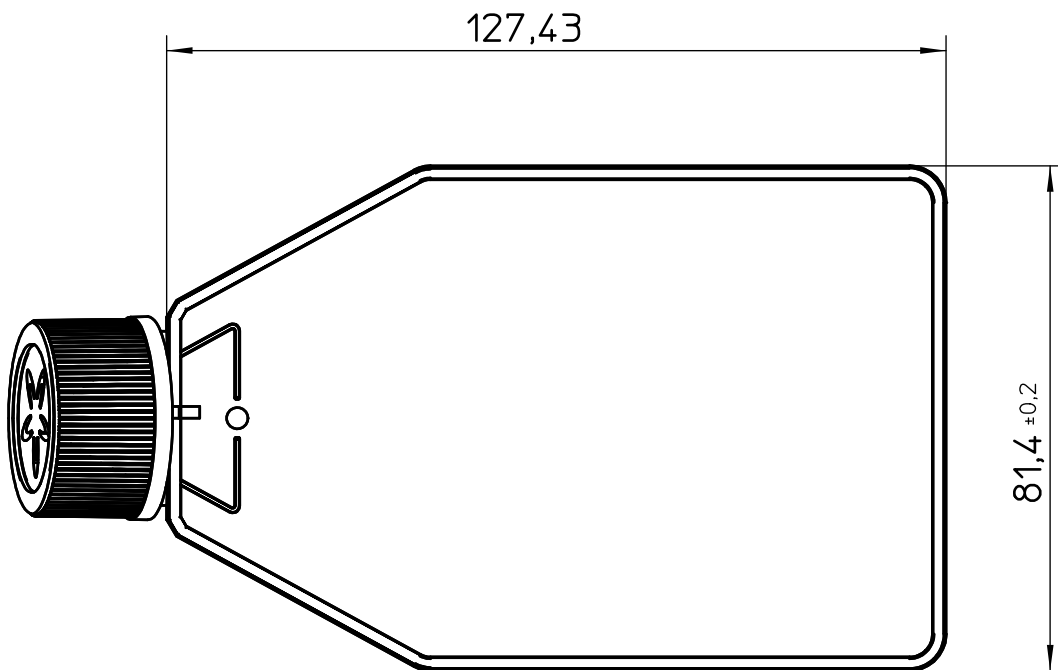
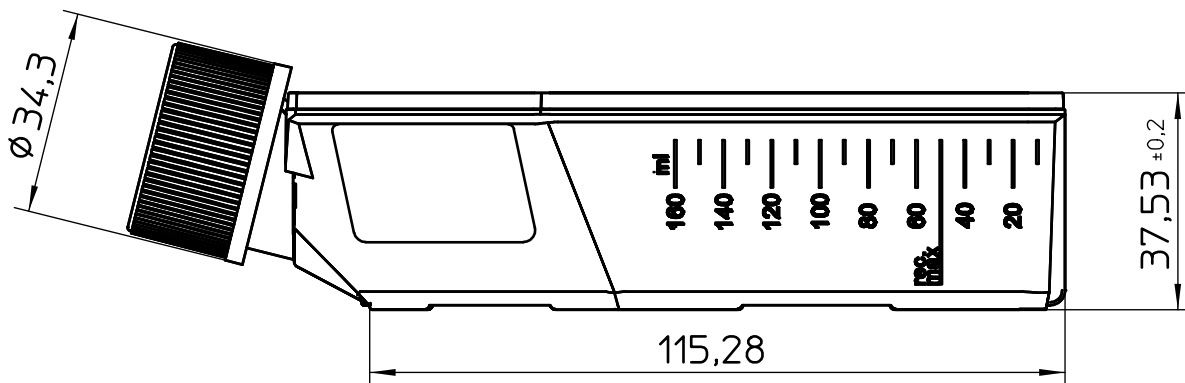


Valid for Item-No.: 658775, 658795



"All dimensions in mm"

Customer drawing subject to change without notice!

Uncontrolled Copy

Prior Issue	Drawn	Approved	Released	<small>CONFIDENTIAL: Information contained in this document or drawing is confidential and proprietary to Greiner Bio-One GmbH. This document may not be reproduced for any reason without written permission from Greiner Bio-One GmbH. All rights of design, invention, and copyright are reserved.</small>
Revision	Date	Date	Date	
2	2025/06/11	2025/12/17	2025/12/17	
Date	Name	Name	Name	
2025/08/08	kleber	kleber	ziegler	