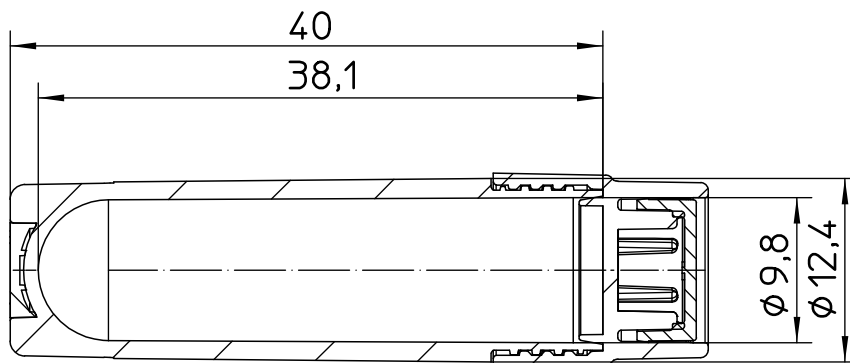
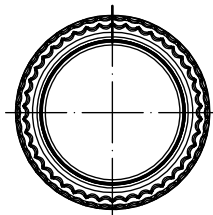


Valid for Item-No.: 126263-2DC



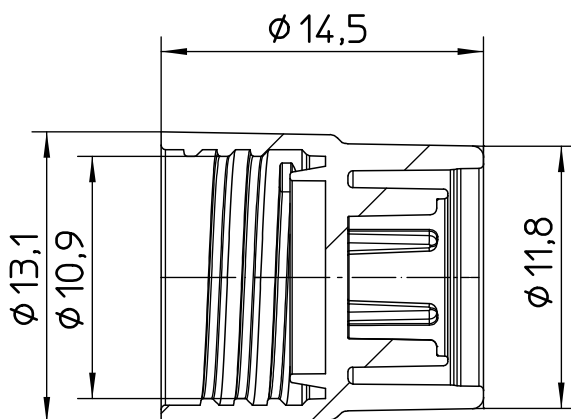
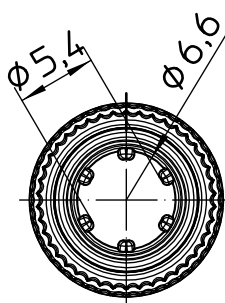
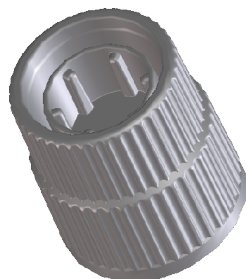
"All dimensions in mm"

Customer drawing subject to change without notice!

Uncontrolled Copy

Prior Issue	Drawn	Approved	Released	CONFIDENTIAL: Information contained in this document or drawing is confidential and proprietary to Greiner Bio-One GmbH. This document may not be reproduced for any reason without written permission from Greiner Bio-One GmbH. All rights of design, invention, and copyright are reserved.
Revision 4	Date 2018/07/11	Date 2022/11/08	Date 2022/11/08	
Date 2020/08/17	Name forb	Name forb	Name kleber	

Valid for Item-No.: 126263-2DC



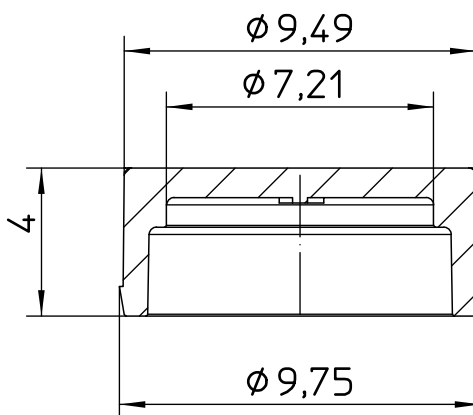
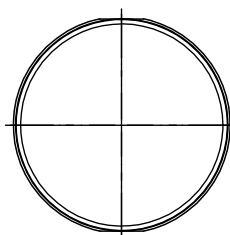
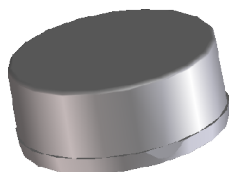
"All dimensions in mm"

Customer drawing subject to change without notice!

Uncontrolled Copy

Prior Issue	Drawn	Approved	Released	CONFIDENTIAL: Information contained in this document or drawing is confidential and proprietary to Greiner Bio-One GmbH. This document may not be reproduced for any reason without written permission from Greiner Bio-One GmbH. All rights of design, invention, and copyright are reserved.
Revision	Date	Date	Date	
4	2018/07/11	2022/11/08	2022/11/08	
Date	Name	Name	Name	
2020/08/17	forb	forb	kleber	

Valid for Item-No.: 126263-2DC



"All dimensions in mm"

Customer drawing subject to change without notice!

Uncontrolled Copy

Prior Issue	Drawn	Approved	Released	CONFIDENTIAL: Information contained in this document or drawing is confidential and proprietary to Greiner Bio-One GmbH. This document may not be reproduced for any reason without written permission from Greiner Bio-One GmbH. All rights of design, invention, and copyright are reserved.
Revision 4	Date 2018/07/11	Date 2022/11/08	Date 2022/11/08	
Date 2020/08/17	Name forb	Name forb	Name kleber	