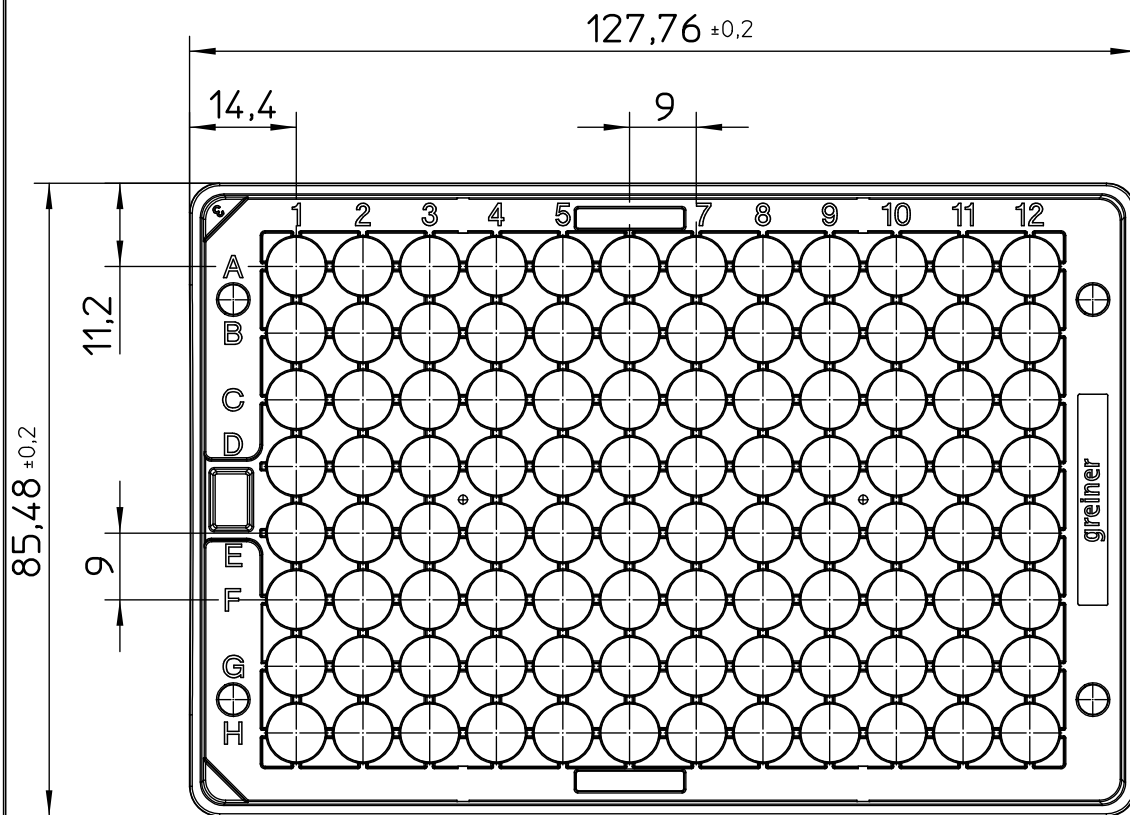
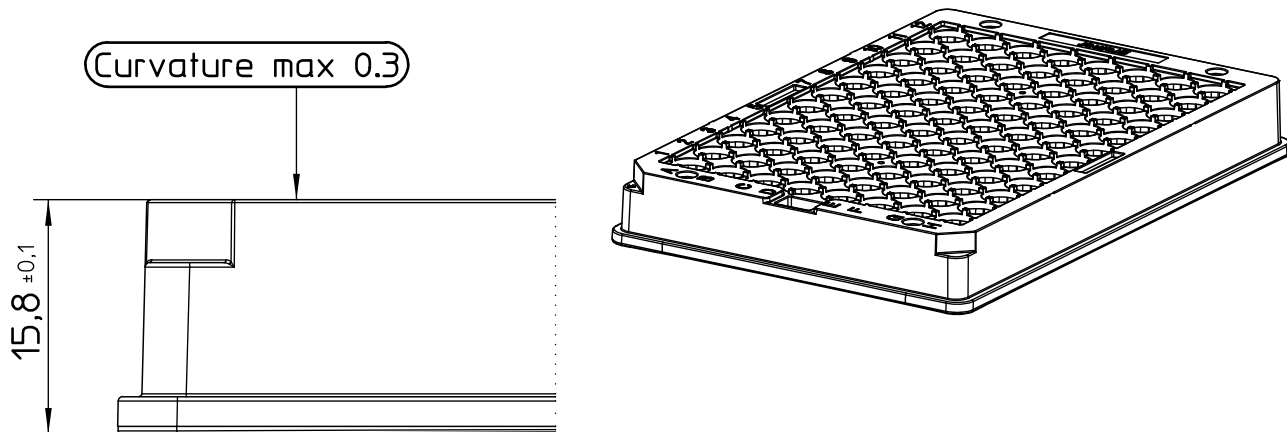


Valid for Item-No.: 976501, 976501-2D1



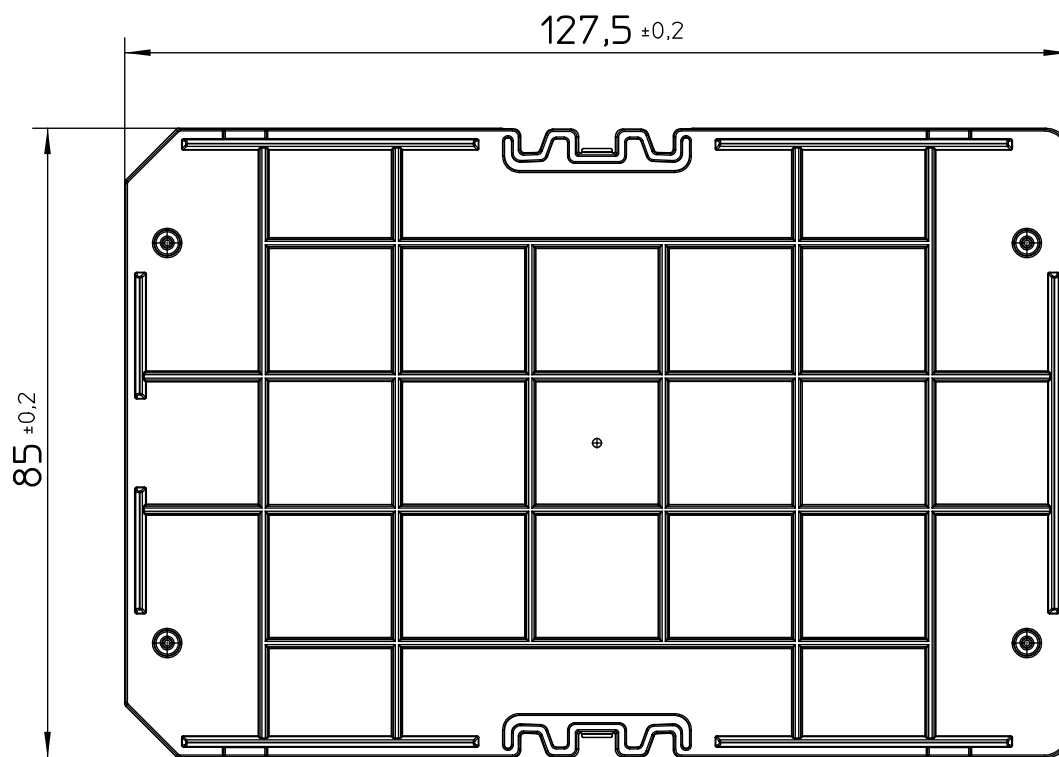
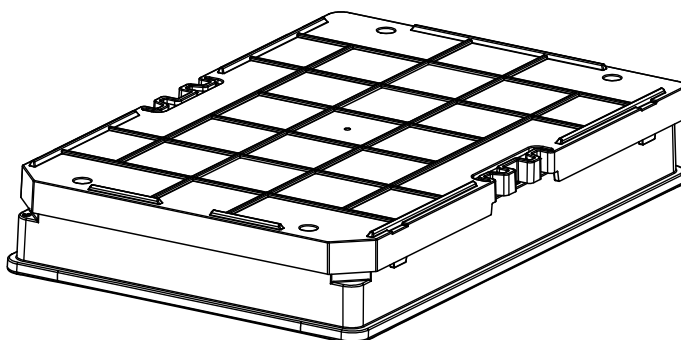
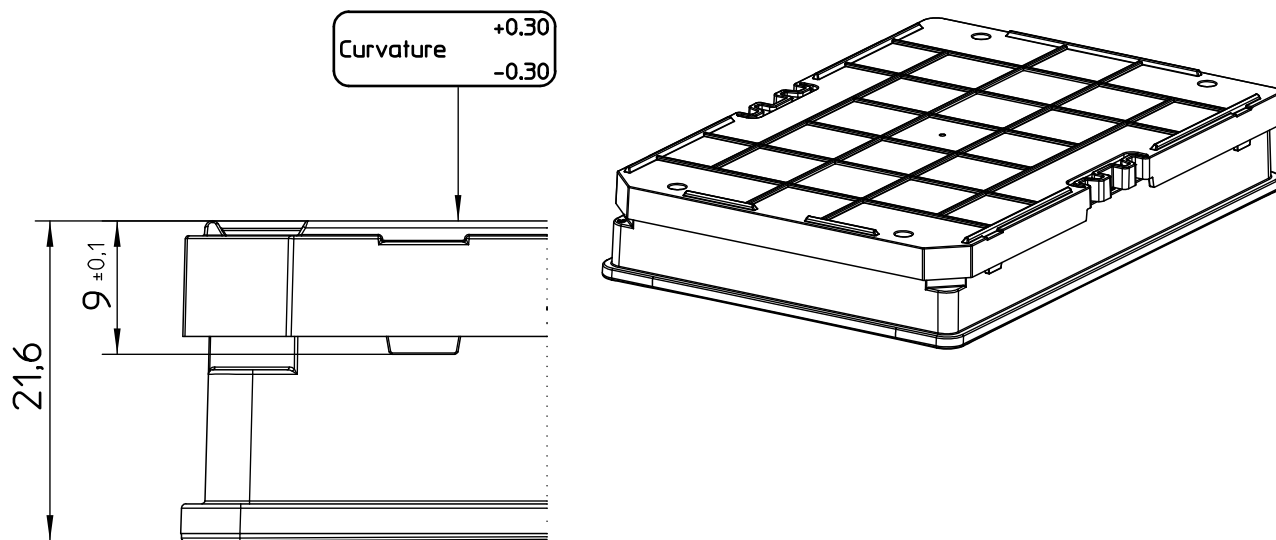
"All dimensions in mm"

Customer drawing subject to change without notice!

Uncontrolled Copy

Prior Issue	Drawn	Approved	Released	CONFIDENTIAL: Information contained in this document or drawing is confidential and proprietary to Greiner Bio-One GmbH. This document may not be reproduced for any reason without written permission from Greiner Bio-One GmbH. All rights of design, invention, and copyright are reserved.
Revision 5	Date 2014/03/24	Date 2022/11/04	Date 2022/11/04	
Date 2020/03/11	Name schwarzj	Name forb	Name sigel	

Valid for Item-No.: 976501, 976501-2D1



"All dimensions in mm"

Customer drawing subject to change without notice!

Uncontrolled Copy

Prior Issue	Drawn	Approved	Released	CONFIDENTIAL: Information contained in this document or drawing is confidential and proprietary to Greiner Bio-One GmbH. This document may not be reproduced for any reason without written permission from Greiner Bio-One GmbH. All rights of design, invention, and copyright are reserved.
Revision 5	Date 2014/03/24	Date 2022/11/04	Date 2022/11/04	
Date 2020/03/11	Name schwarzj	Name forb	Name sigel	