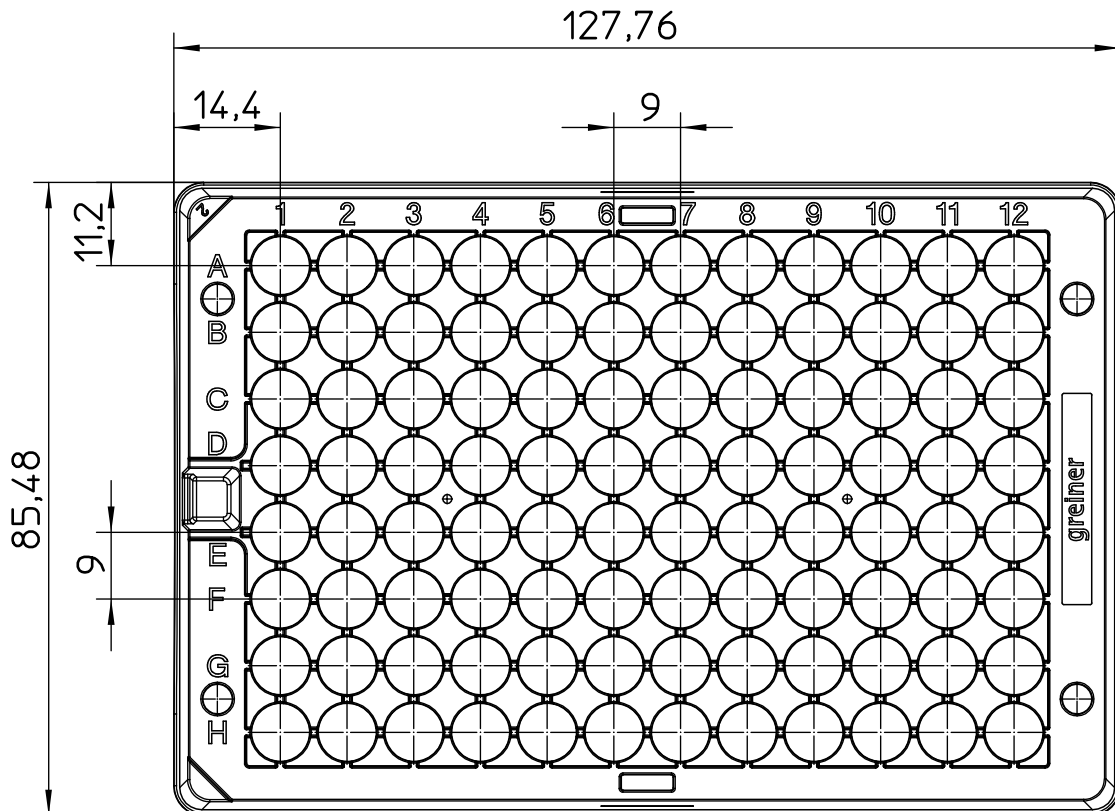
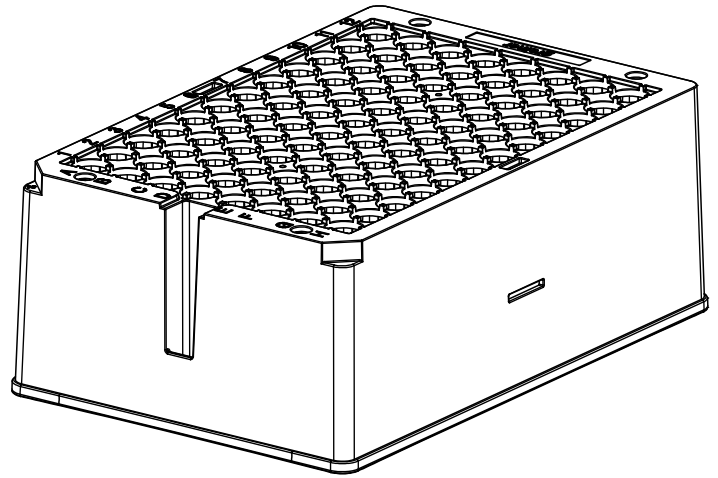
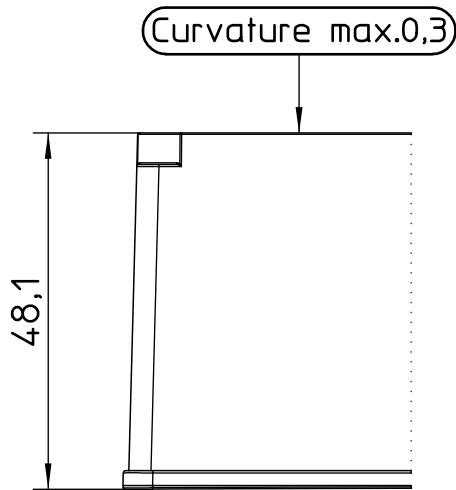


Valid for Item-No.: 978501, 978501-06



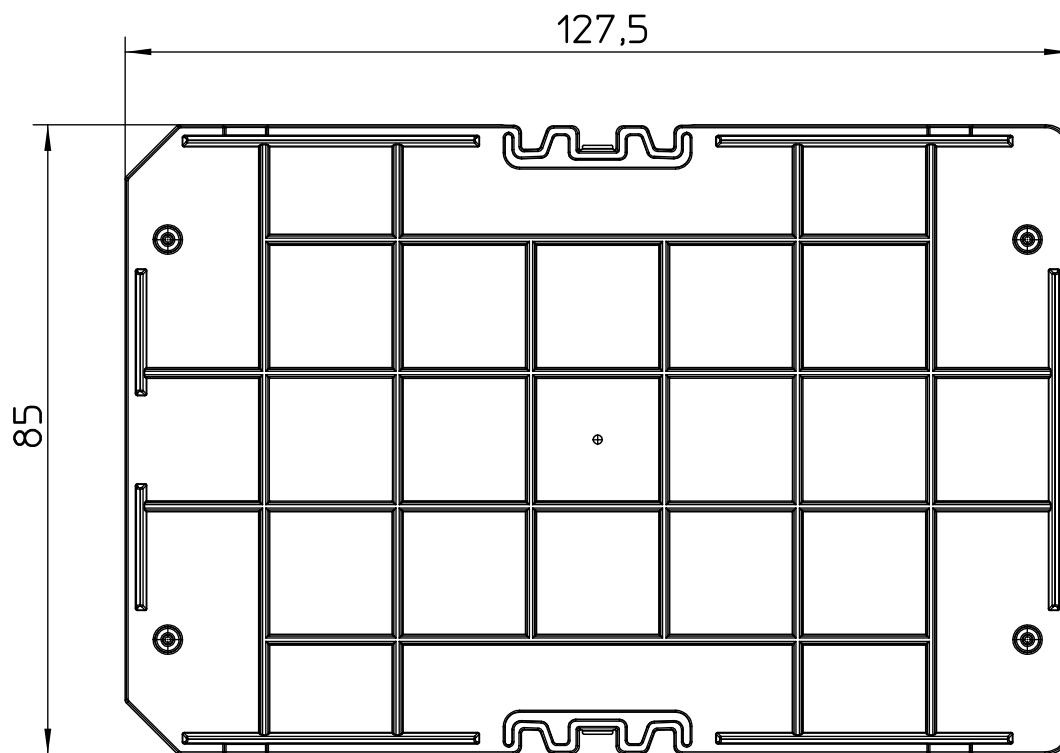
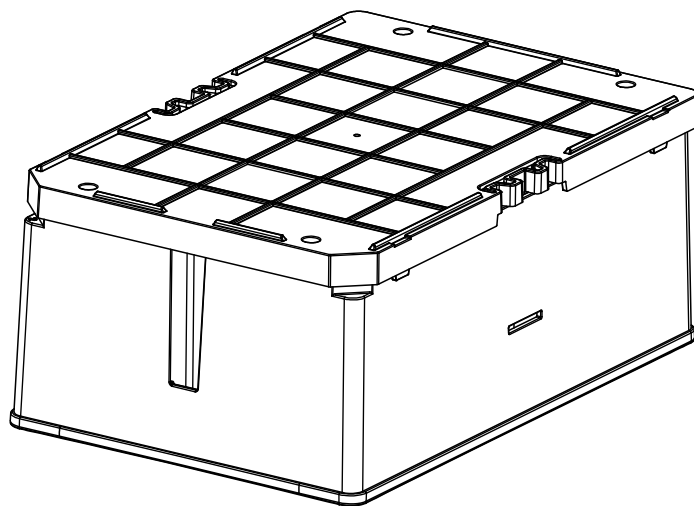
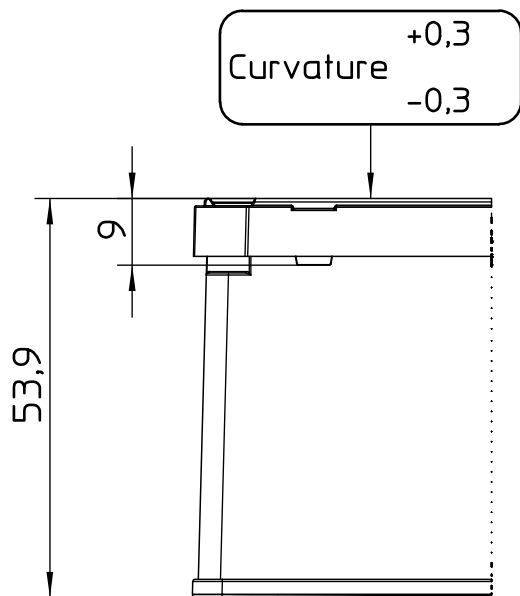
"All dimensions in mm"

Customer drawing subject to change without notice!

Uncontrolled Copy

Prior Issue	Drawn	Approved	Released	CONFIDENTIAL: Information contained in this document or drawing is confidential and proprietary to Greiner Bio-One GmbH. This document may not be reproduced for any reason without written permission from Greiner Bio-One GmbH. All rights of design, invention, and copyright are reserved.
Revision	Date	Date	Date	
5	2014/03/25	2025/10/07	2025/10/07	
Date	Name	Name	Name	
2022/11/03	schwarzj	kleber	ziegler	

Valid for Item-No.: 978501, 978501-06



"All dimensions in mm"

Customer drawing subject to change without notice!

Uncontrolled Copy

Prior Issue	Drawn	Approved	Released	CONFIDENTIAL: Information contained in this document or drawing is confidential and proprietary to Greiner Bio-One GmbH. This document may not be reproduced for any reason without written permission from Greiner Bio-One GmbH. All rights of design, invention, and copyright are reserved.
Revision 5	Date 2014/03/25	Date 2025/10/07	Date 2025/10/07	
Date 2022/11/03	Name schwarzj	Name kleber	Name ziegler	