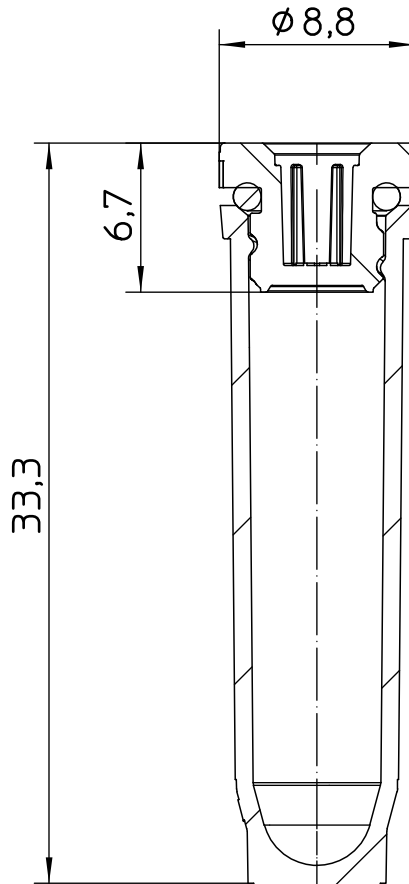
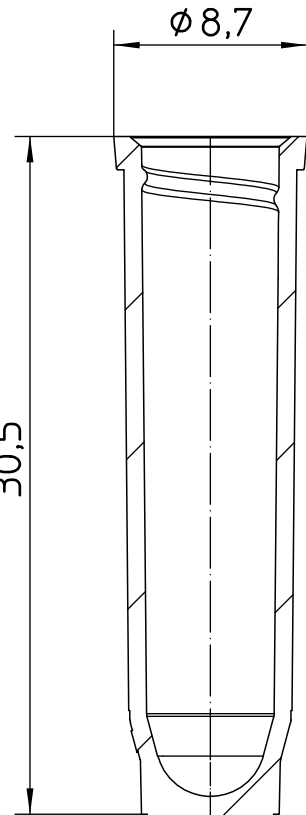


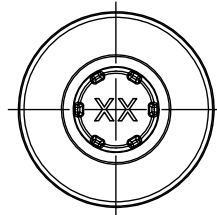
Valid for Item-No.: 977561, 977563, 977564, 977565, 977566, 977567, 977568, 977569, 977570, 977580, 977583, 977584, 977585, 977586, 977587, 977588, 977589, 977561-2D1, 977561-39, 977566-BBG, 977580-2D1, 977580-UZA



contents of tube
with screw cap
672.6µl



total volume tube
787.8µl



working volume
in cryo storage
580µl

"All dimensions in mm"

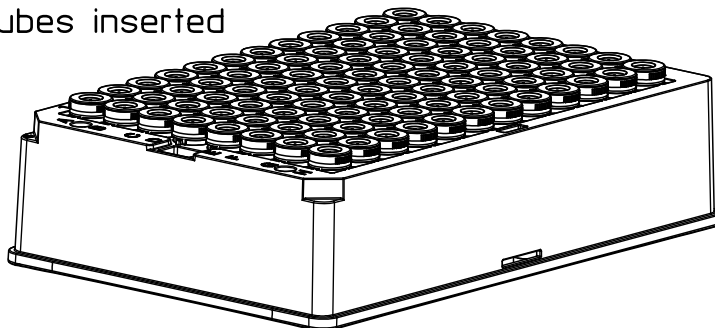
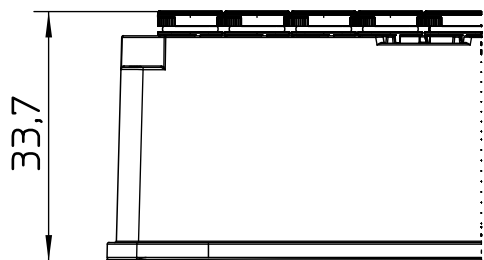
Customer drawing subject to change without notice!

Uncontrolled Copy

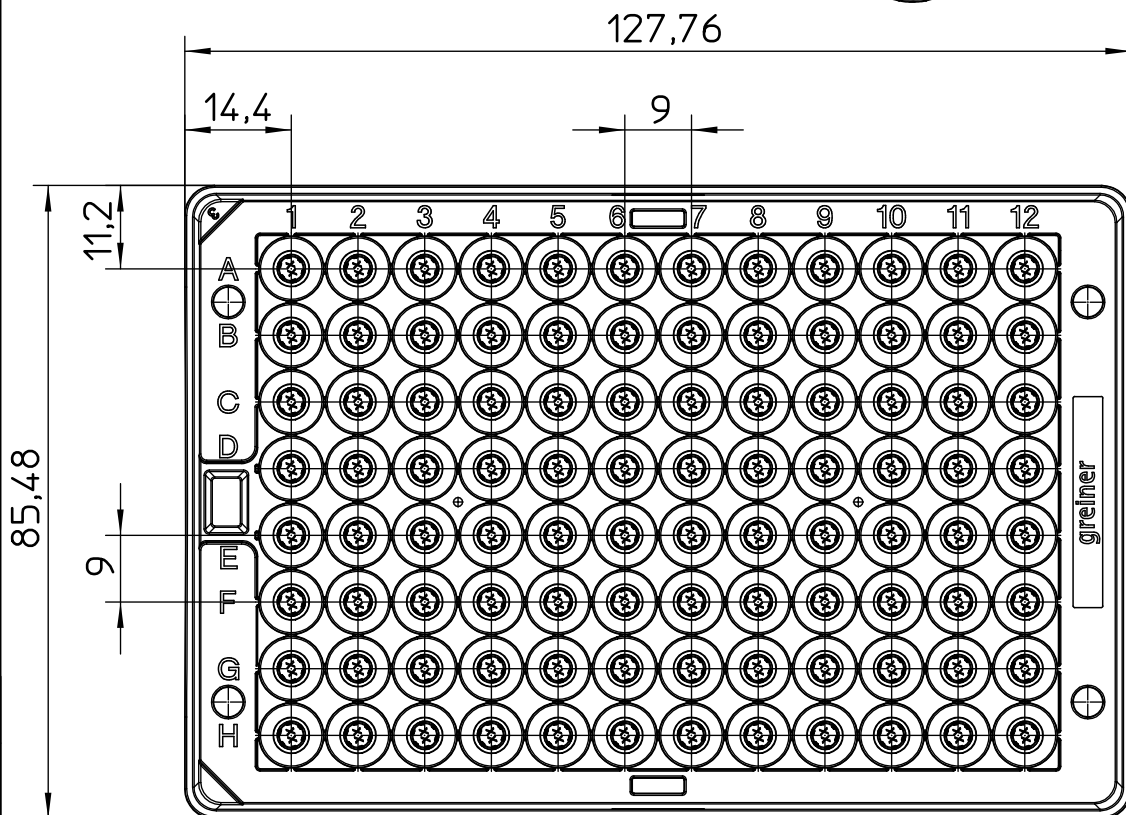
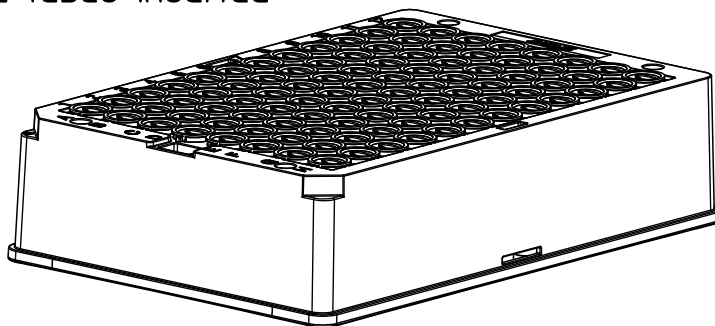
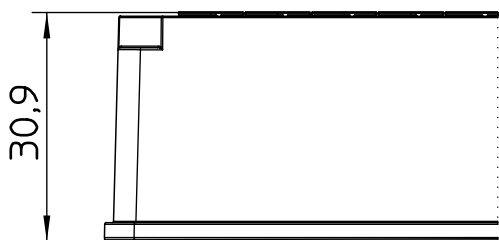
Prior Issue	Drawn	Approved	Released	CONFIDENTIAL: Information contained in this document or drawing is confidential and proprietary to Greiner Bio-One GmbH. This document may not be reproduced for any reason without written permission from Greiner Bio-One GmbH. All rights of design, invention, and copyright are reserved.
Revision 9	Date 2014/02/05	Date 2025/10/07	Date 2025/10/07	
Date 2022/11/03	Name schwarzj	Name kleber	Name ziegler	

Valid for Item-No.: 977561, 977563, 977564, 977565, 977566, 977567, 977568, 977569, 977570, 977580, 977583, 977584, 977585, 977586, 977587, 977588, 977589, 977561-2D1, 977561-39, 977566-BBG, 977580-2D1, 977580-UZA

with capped tubes inserted



with uncapped tubes inserted



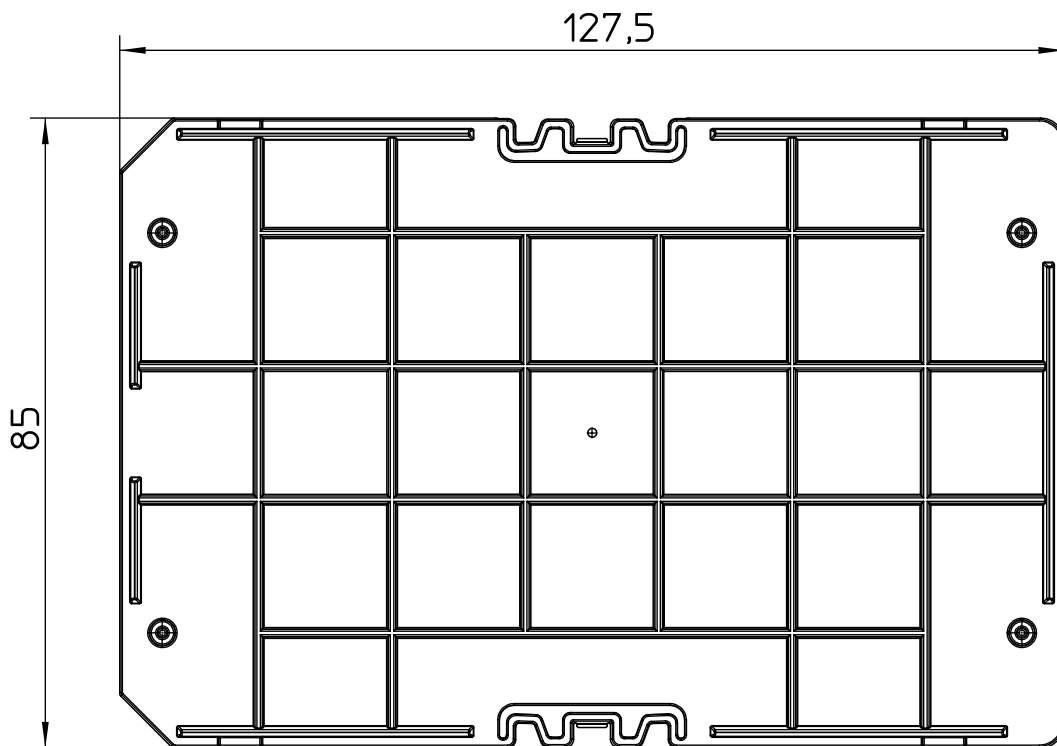
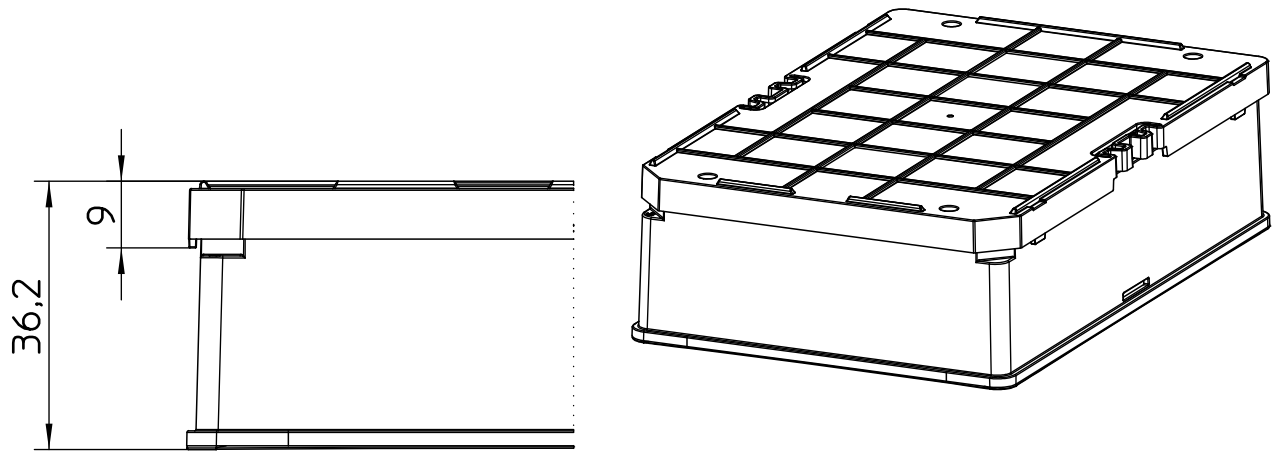
"All dimensions in mm"

Customer drawing subject to change without notice!

Uncontrolled Copy

Prior Issue	Drawn	Approved	Released	CONFIDENTIAL: Information contained in this document or drawing is confidential and proprietary to Greiner Bio-One GmbH. This document may not be reproduced for any reason without written permission from Greiner Bio-One GmbH. All rights of design, invention, and copyright are reserved.
Revision 9	Date 2014/02/05	Date 2025/10/07	Date 2025/10/07	
Date 2022/11/03	Name schwarzj	Name kleber	Name ziegler	

Valid for Item-No.: 977561, 977563, 977564, 977565, 977566, 977567, 977568, 977569, 977570, 977580, 977583, 977584, 977585, 977586, 977587, 977588, 977589, 977561-2D1, 977561-39, 977566-BBG, 977580-2D1, 977580-UZA



"All dimensions in mm"

Customer drawing subject to change without notice!

Uncontrolled Copy

Prior Issue	Drawn	Approved	Released	CONFIDENTIAL: Information contained in this document or drawing is confidential and proprietary to Greiner Bio-One GmbH. This document may not be reproduced for any reason without written permission from Greiner Bio-One GmbH. All rights of design, invention, and copyright are reserved.
Revision 9	Date 2014/02/05	Date 2025/10/07	Date 2025/10/07	
Date 2022/11/03	Name schwarzj	Name kleber	Name ziegler	