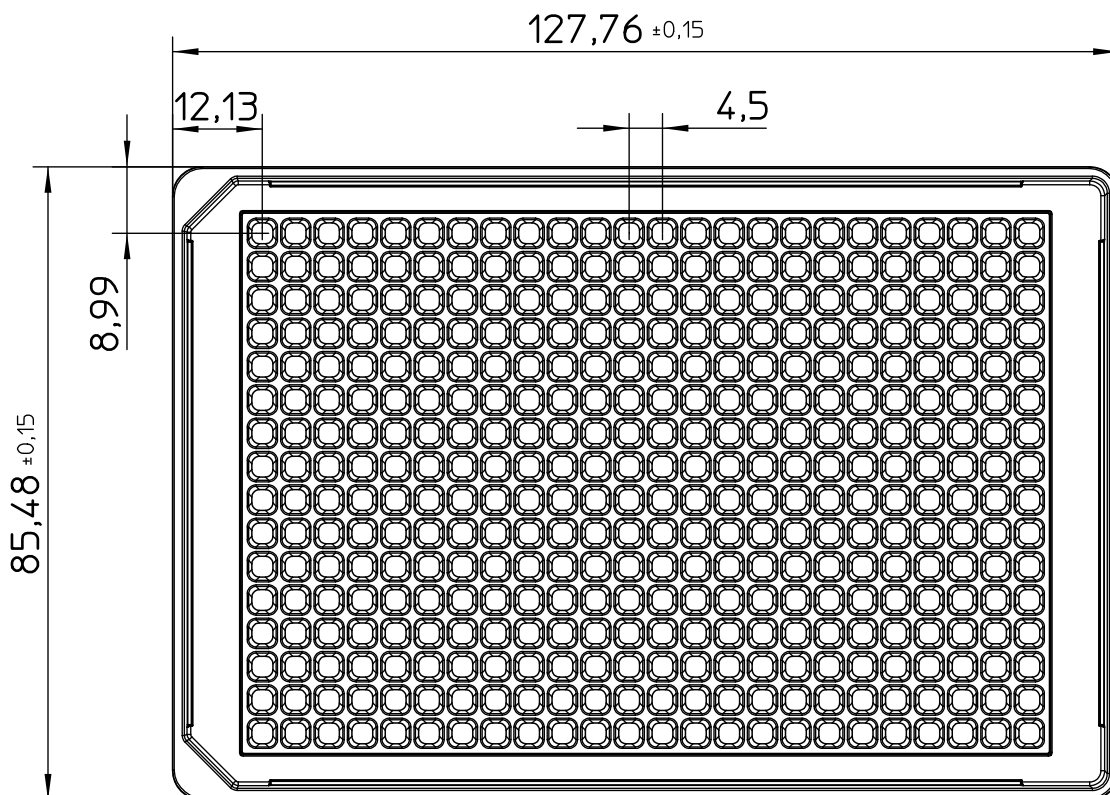
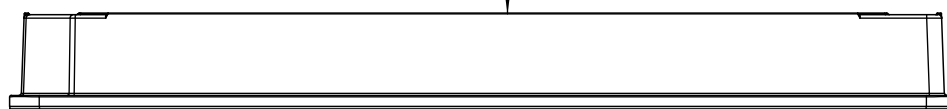


Curvature  $\updownarrow$  Max.Diff 0.2



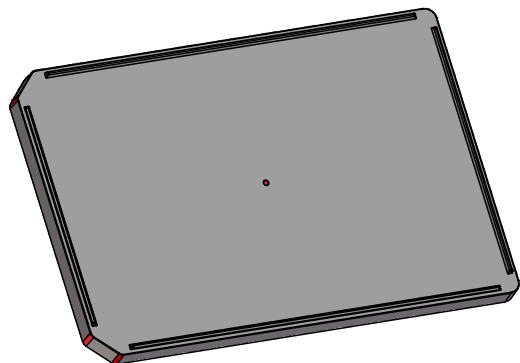
"All dimensions in mm"

Customer drawing subject to change without notice!

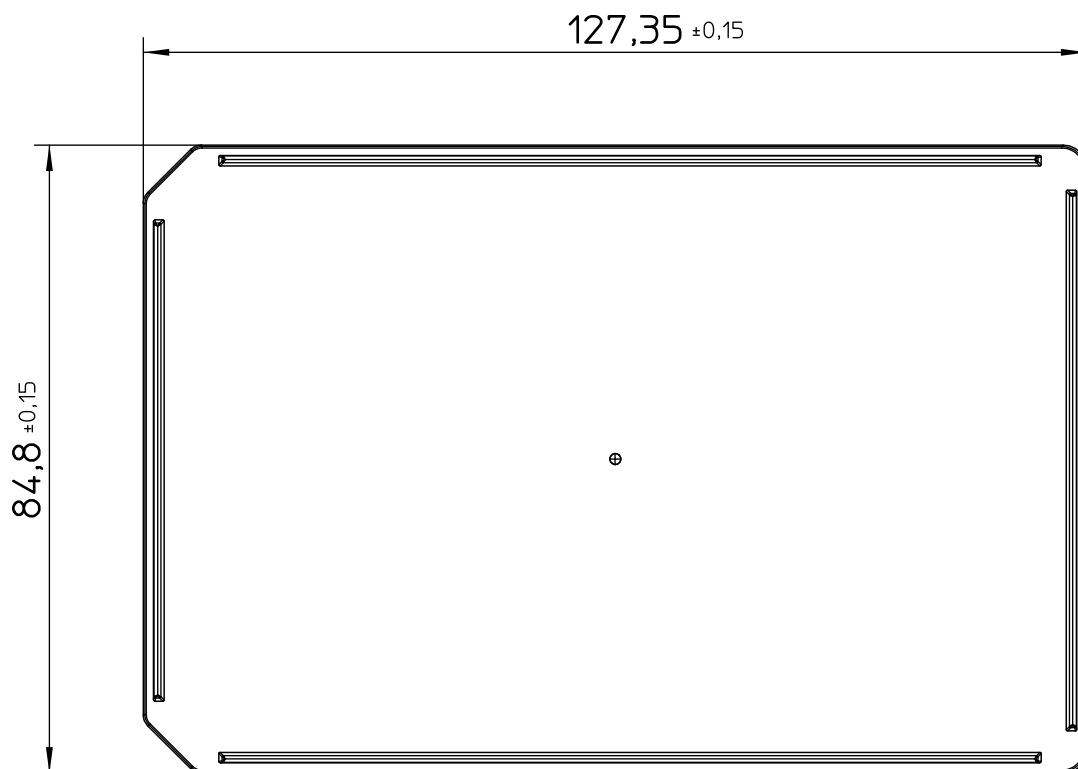
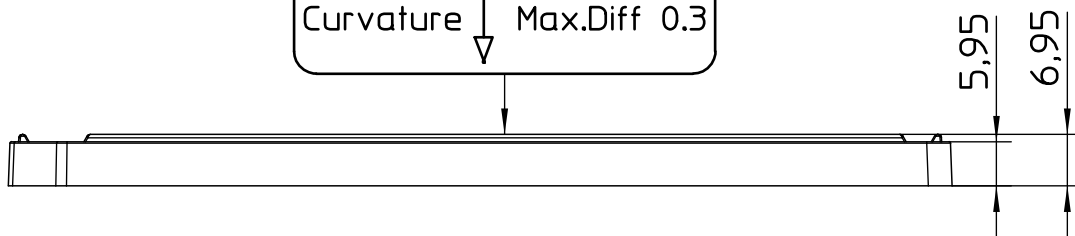
Uncontrolled Copy

Prior Issue	Drawn	Approved	Released	CONFIDENTIAL: Information contained in this document or drawing is confidential and proprietary to Greiner Bio-One GmbH. This document may not be reproduced for any reason without written permission from Greiner Bio-One GmbH. All rights of design, invention, and copyright are reserved.
Revision 1	Date 2025/08/08	Date 2025/12/02	Date 2025/12/02	
Date 2025/08/08	Name kleber	Name kleber	Name ziegler	

Valid for Item-No.: 781866



Curvature  $\updownarrow$  Max.Diff 0.3



"All dimensions in mm"

Customer drawing subject to change without notice!

Uncontrolled Copy

Prior Issue	Drawn	Approved	Released	CONFIDENTIAL: Information contained in this document or drawing is confidential and proprietary to Greiner Bio-One GmbH. This document may not be reproduced for any reason without written permission from Greiner Bio-One GmbH. All rights of design, invention, and copyright are reserved.
Revision 1	Date 2025/08/08	Date 2025/12/02	Date 2025/12/02	
Date 2025/08/08	Name kleber	Name kleber	Name ziegler	