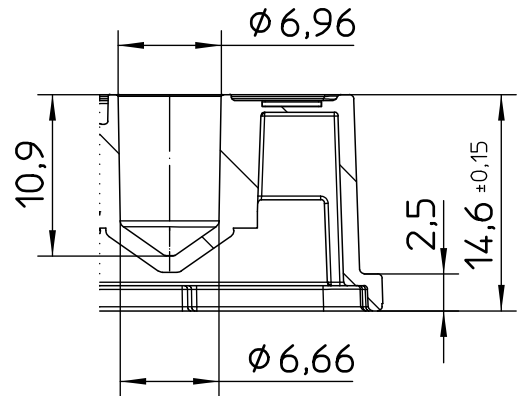
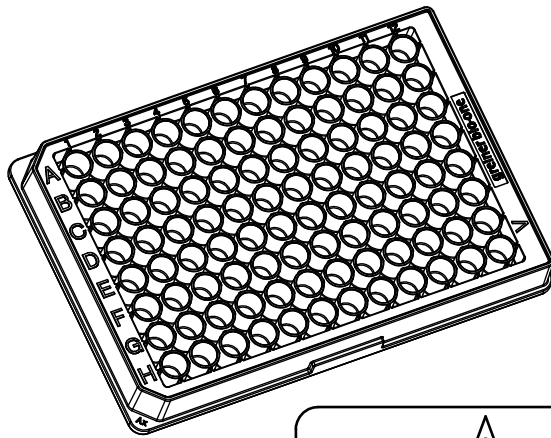
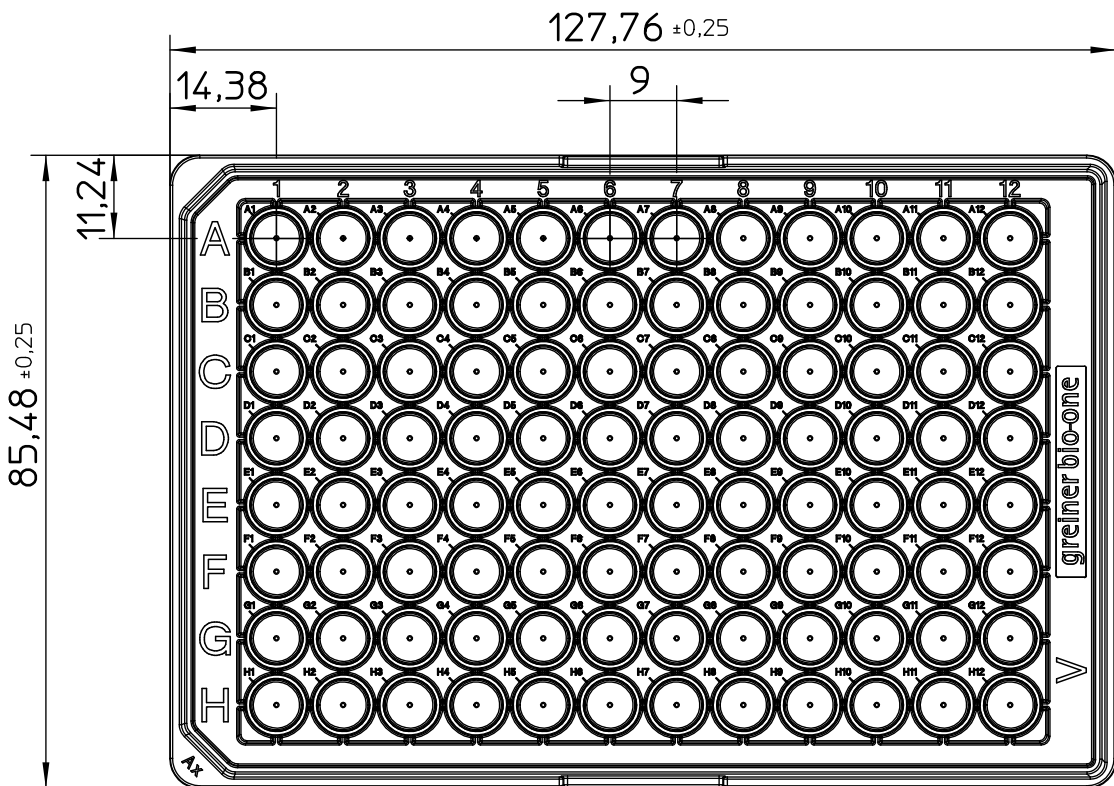


Valid for Item-No.: 651201, 651209, 651261



Curvature  $\updownarrow$  Max.Diff 0.25



"All dimensions in mm"

Customer drawing subject to change without notice!

Uncontrolled Copy

Prior Issue	Drawn	Approved	Released	CONFIDENTIAL: Information contained in this document or drawing is confidential and proprietary to Greiner Bio-One GmbH. This document may not be reproduced for any reason without written permission from Greiner Bio-One GmbH. All rights of design, invention, and copyright are reserved.
Revision 1	Date 2023/08/09	Date 2026/04/22	Date 2026/04/22	
Date 2025/01/07	Name forb	Name kleber	Name ziegler	