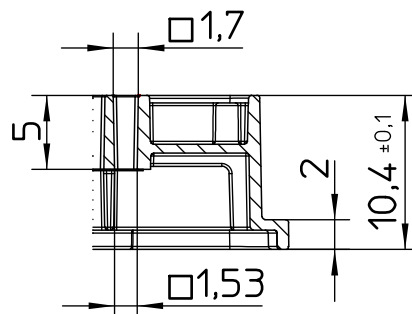
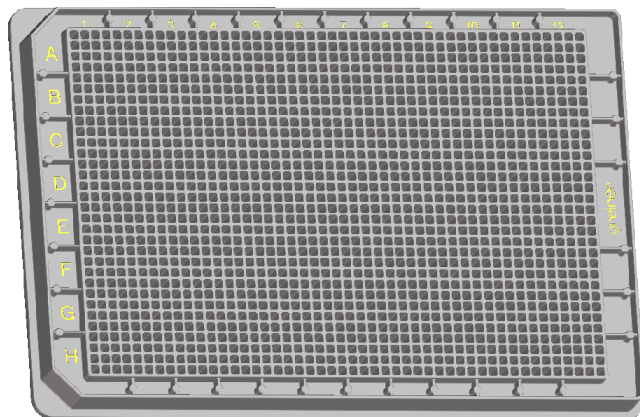
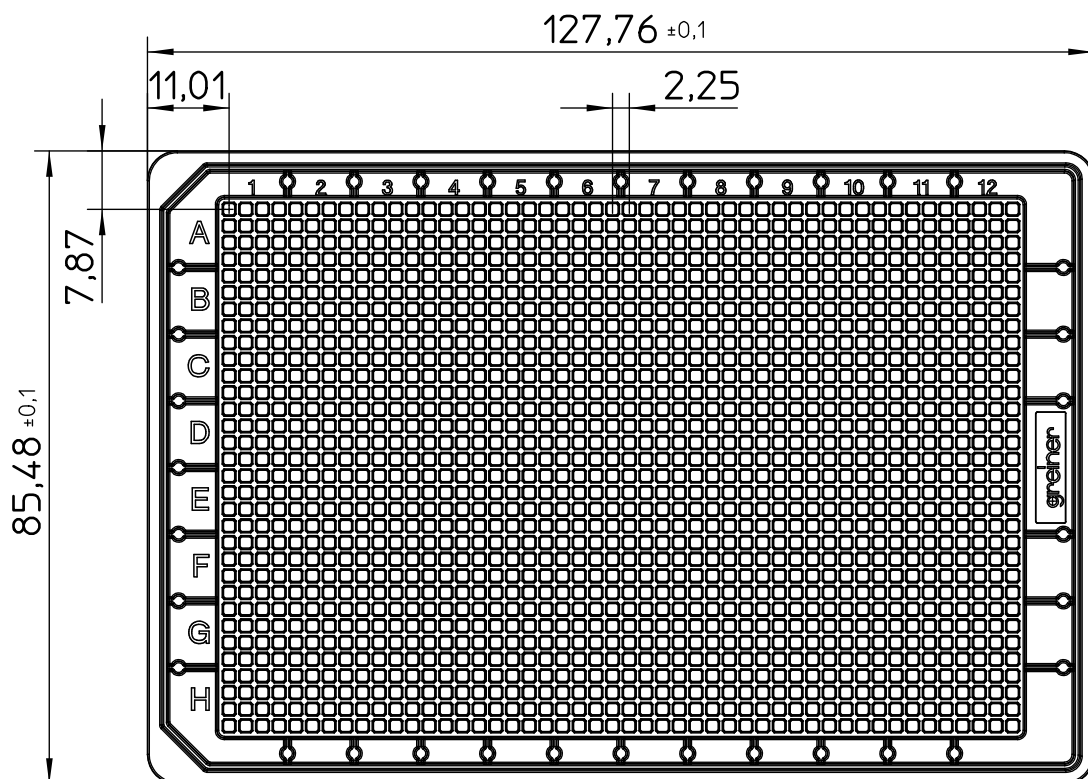
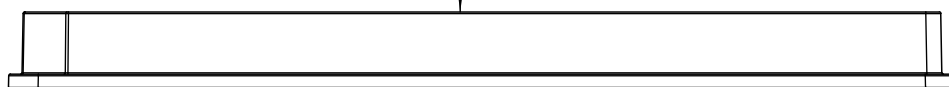


Valid for Item-No.: 782092, 782093, 782094, 782095, 782096



Curvature \updownarrow Max.Diff 0,15



"All dimensions in mm"

Customer drawing subject to change without notice!

Uncontrolled Copy

Prior Issue	Drawn	Approved	Released	CONFIDENTIAL: Information contained in this document or drawing is confidential and proprietary to Greiner Bio-One GmbH. This document may not be reproduced for any reason without written permission from Greiner Bio-One GmbH. All rights of design, invention, and copyright are reserved.
Revision 7	Date 2011/03/23	Date 2025/12/05	Date 2025/12/05	
Date 2025/10/09	Name forb	Name kleber	Name ziegler	