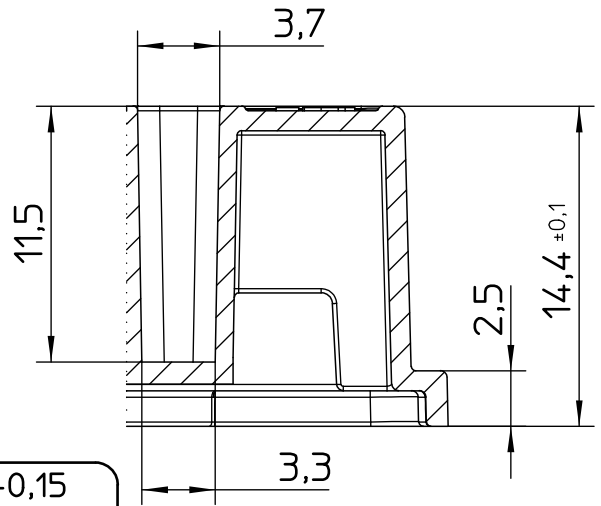
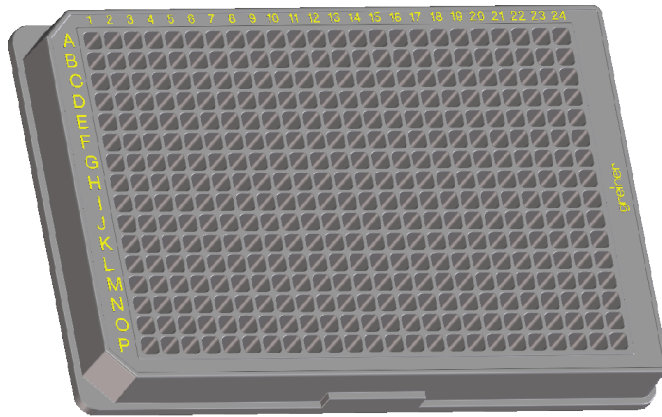
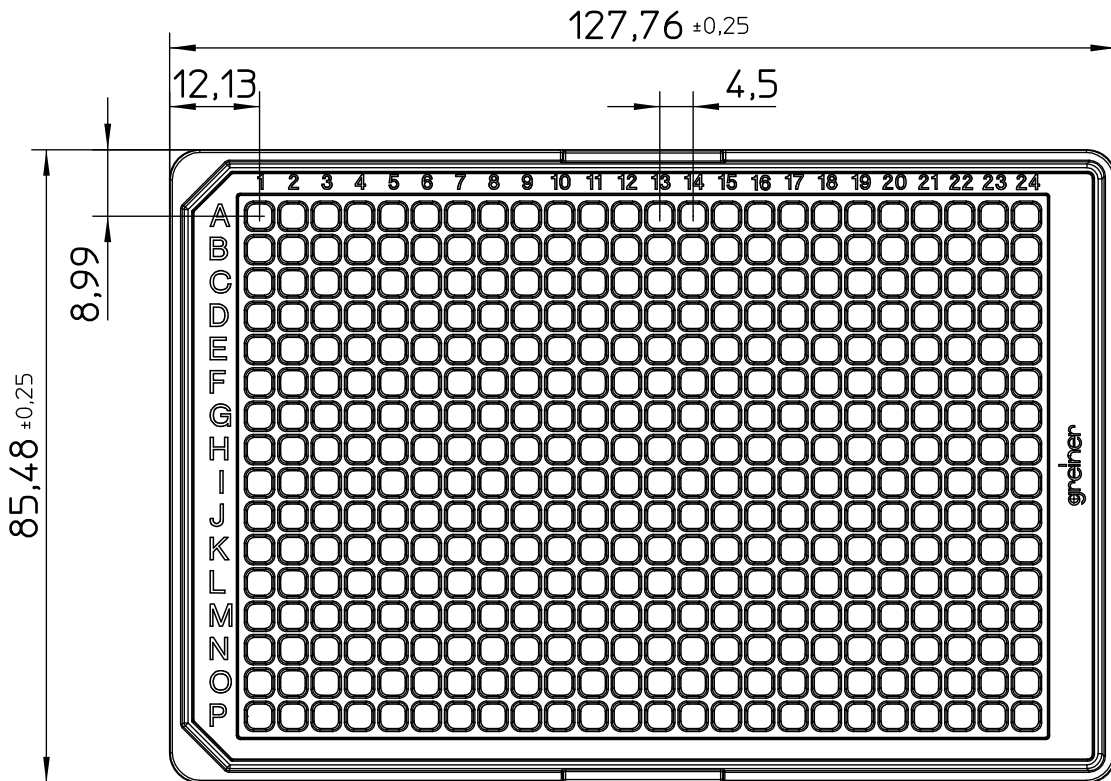
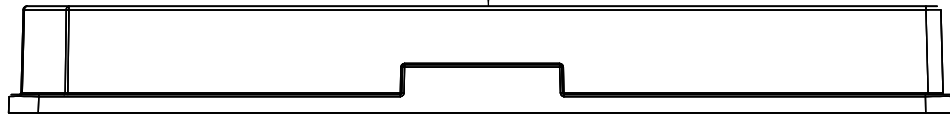


Valid for Item-No.: 781930, 781940, 781945, 781950



Curvature +0,15  
-0,15



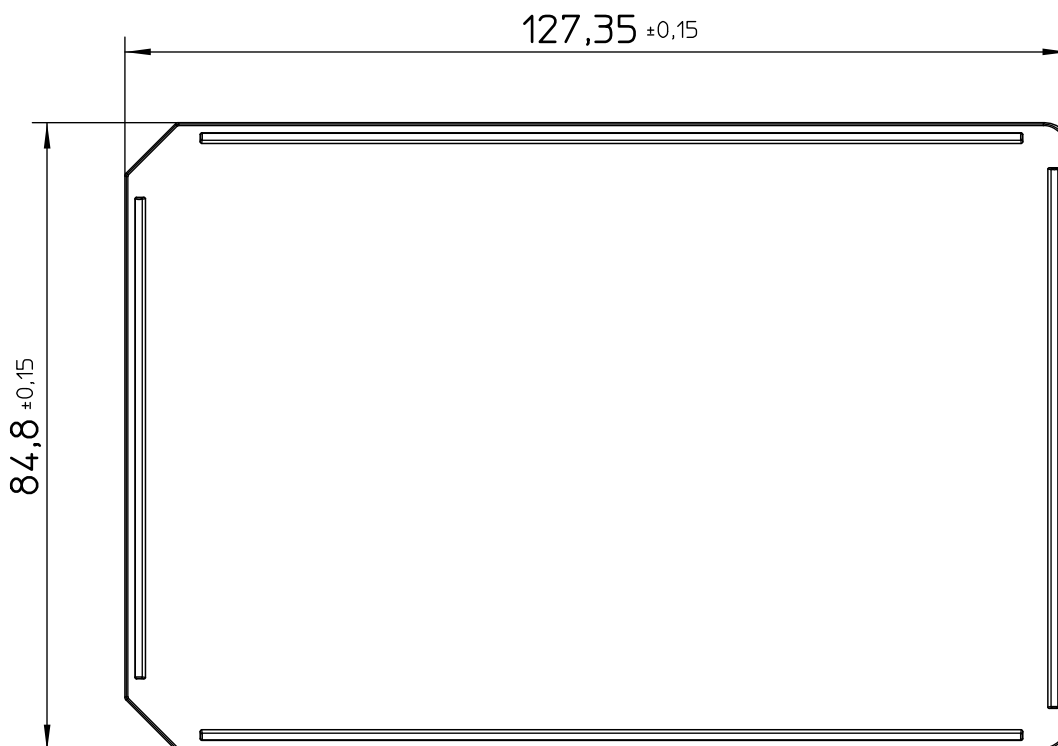
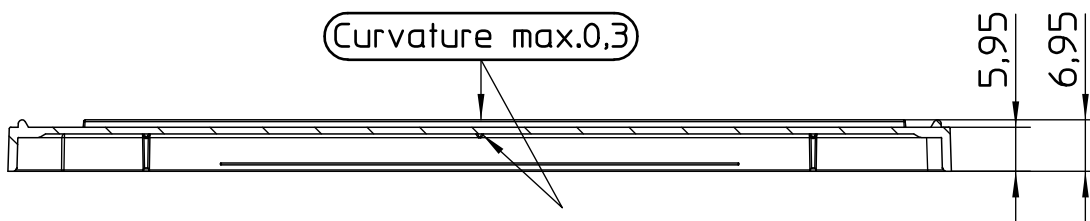
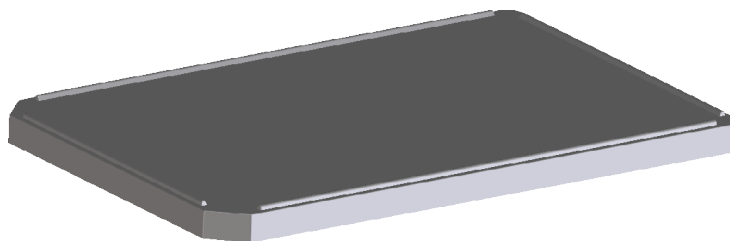
"All dimensions in mm"

Customer drawing subject to change without notice!

Uncontrolled Copy

Prior Issue	Drawn	Approved	Released	CONFIDENTIAL: Information contained in this document or drawing is confidential and proprietary to Greiner Bio-One GmbH. This document may not be reproduced for any reason without written permission from Greiner Bio-One GmbH. All rights of design, invention, and copyright are reserved.
Revision 4	Date 2011/08/31	Date 2024/07/16	Date 2024/07/16	
Date 2021/10/13	Name forb	Name kleber	Name ziegler	

Valid for Item-No.: 781930, 781940, 781945, 781950



"All dimensions in mm"

Customer drawing subject to change without notice!

Uncontrolled Copy

Prior Issue	Drawn	Approved	Released	CONFIDENTIAL: Information contained in this document or drawing is confidential and proprietary to Greiner Bio-One GmbH. This document may not be reproduced for any reason without written permission from Greiner Bio-One GmbH. All rights of design, invention, and copyright are reserved.
Revision 4	Date 2011/08/31	Date 2024/07/16	Date 2024/07/16	
Date 2021/10/13	Name forb	Name kleber	Name ziegler	