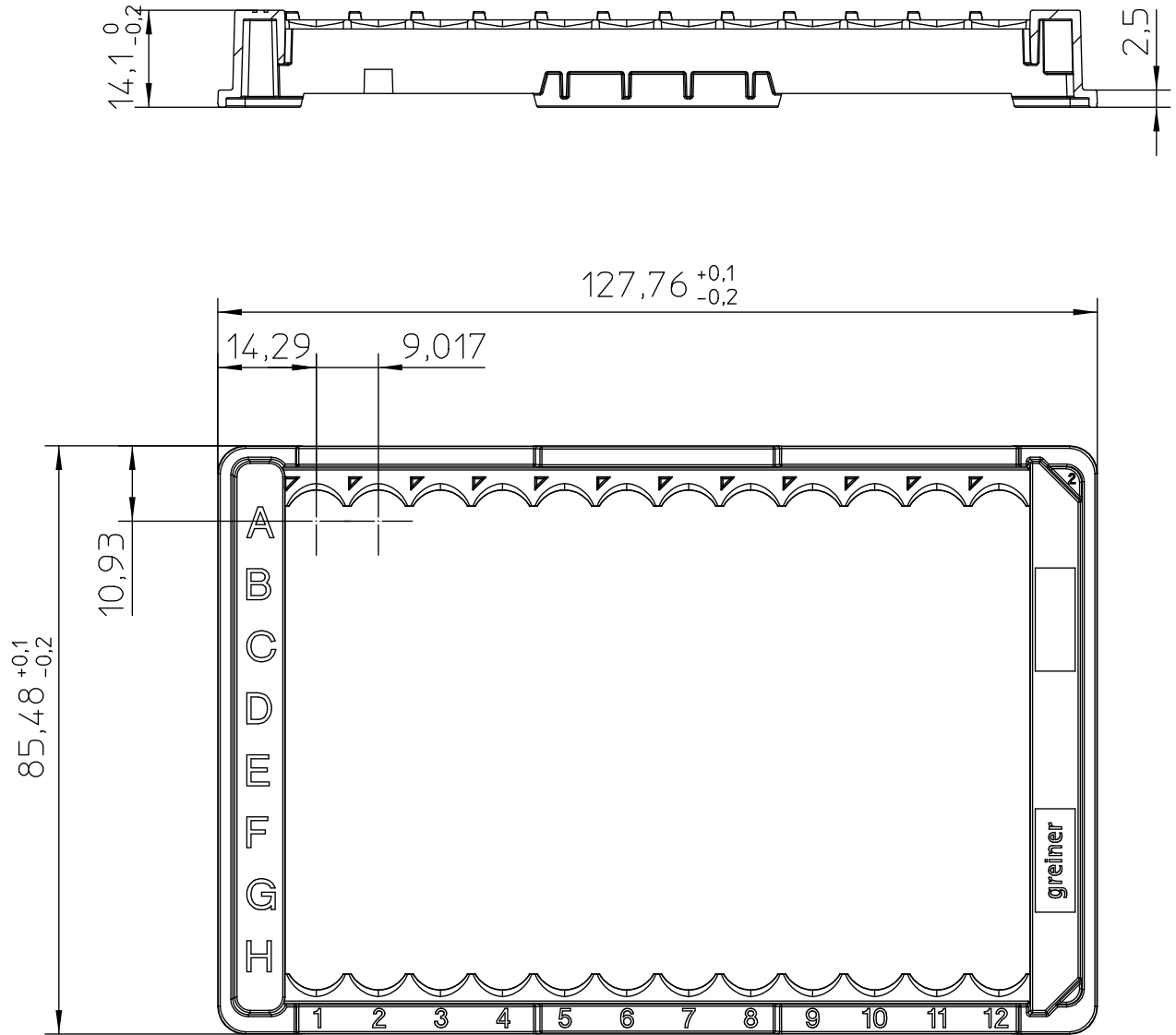




Valid for Item-No.: 756001, 756070, 756071



Only layout change, no design change of the product.  
Prior drawing No. AC-765xxx/ Rev 01/ December 04, 2008

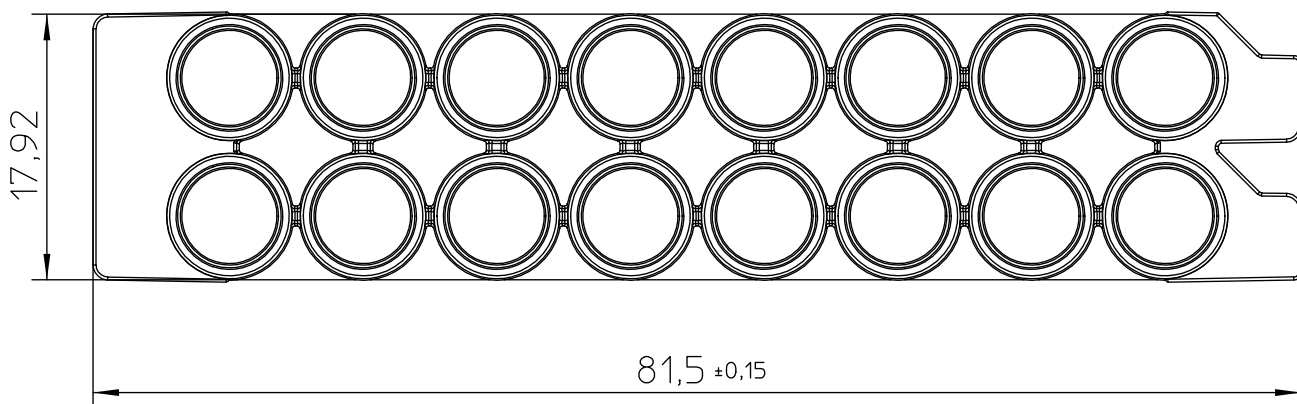
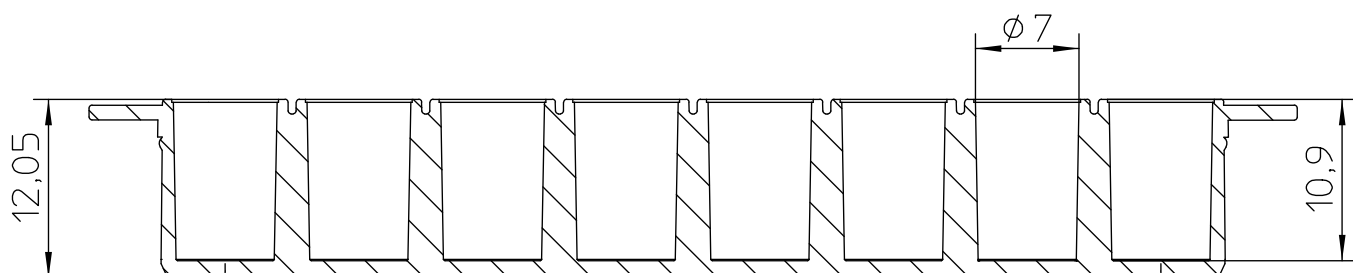
"All dimensions in mm"

Customer drawing subject to change without notice!

Uncontrolled Copy

Prior Issue	Drawn	Approved	Released	CONFIDENTIAL: Information contained in this document or drawing is confidential and proprietary to Greiner Bio-One GmbH. This document may not be reproduced for any reason without written permission from Greiner Bio-One GmbH. All rights of design, invention, and copyright are reserved.
Revision	Date 2011/08/26	Date 2011/08/26	Date 2011/08/26	
Date	Name falter	Name falter	Name sonntag	

Valid for Item-No.: 756001, 756070, 756071



"All dimensions in mm"

Customer drawing subject to change without notice!

Uncontrolled Copy

Prior Issue	Drawn	Approved	Released	CONFIDENTIAL: Information contained in this document or drawing is confidential and proprietary to Greiner Bio-One GmbH. This document may not be reproduced for any reason without written permission from Greiner Bio-One GmbH. All rights of design, invention, and copyright are reserved.
Revision	Date 2011/08/26	Date 2011/08/26	Date 2011/08/26	
Date	Name falter	Name falter	Name sonntag	