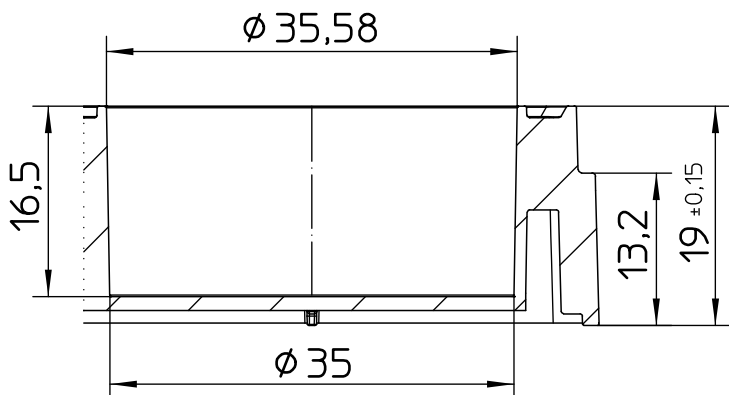
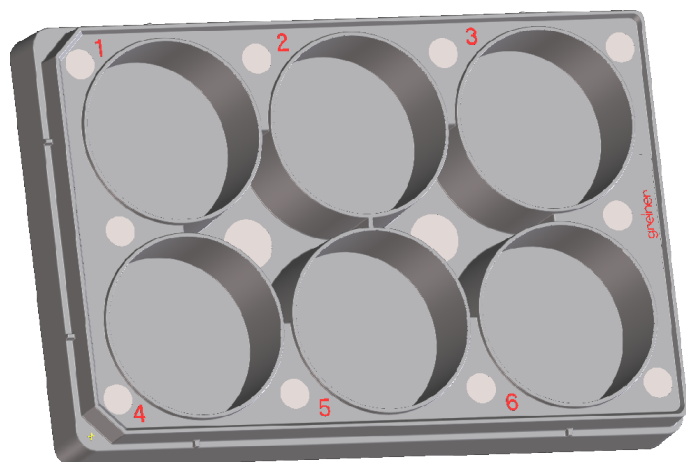




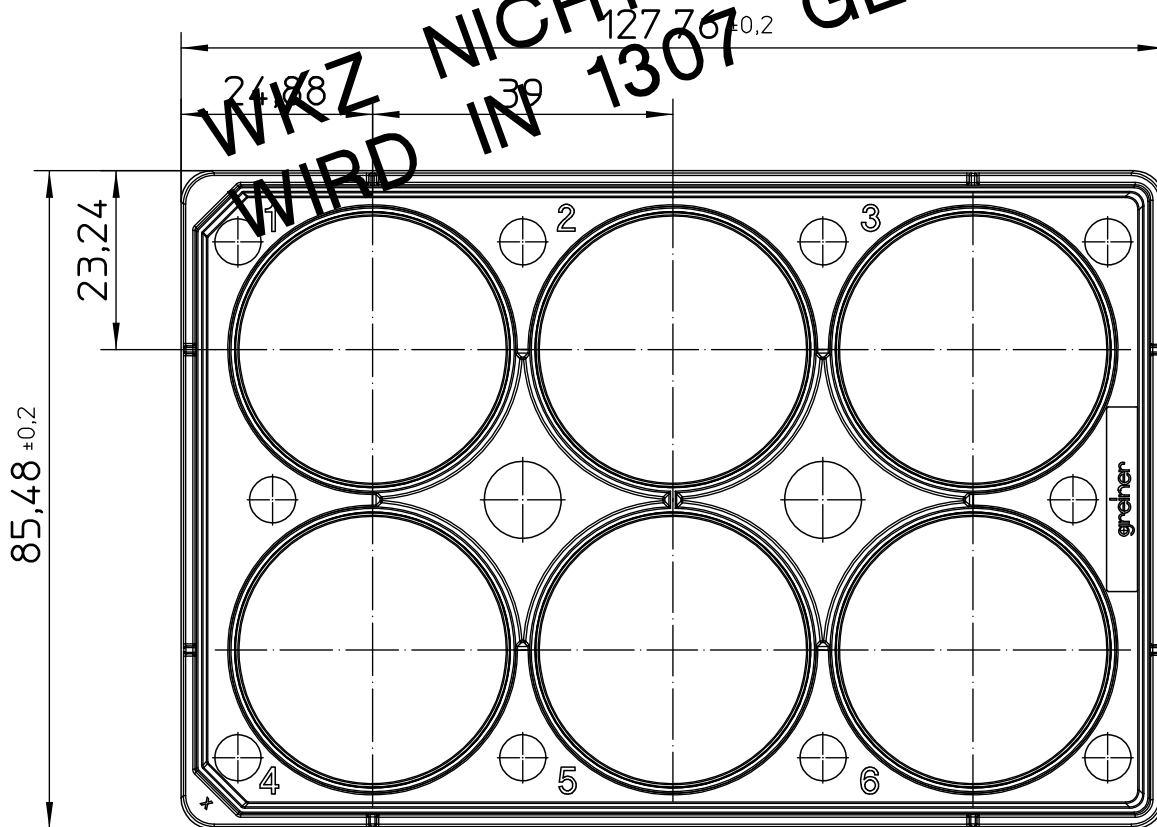
Valid for Item-No.: 657102, 657160, 657185



Curvature 0,2



**WKZ NICHT MEHR GÜLTIG
WIRD IN 1307 GEPFLEGT**



"All dimensions in mm"

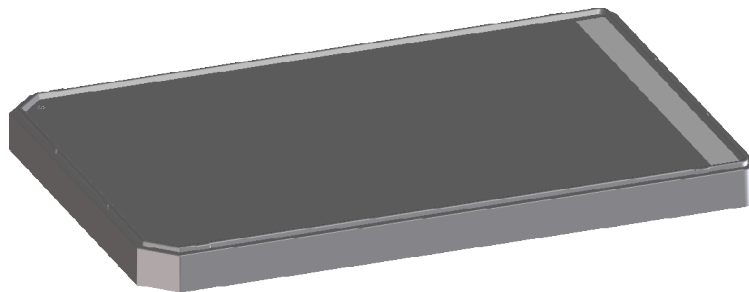
Customer drawing subject to change without notice!

Uncontrolled Copy

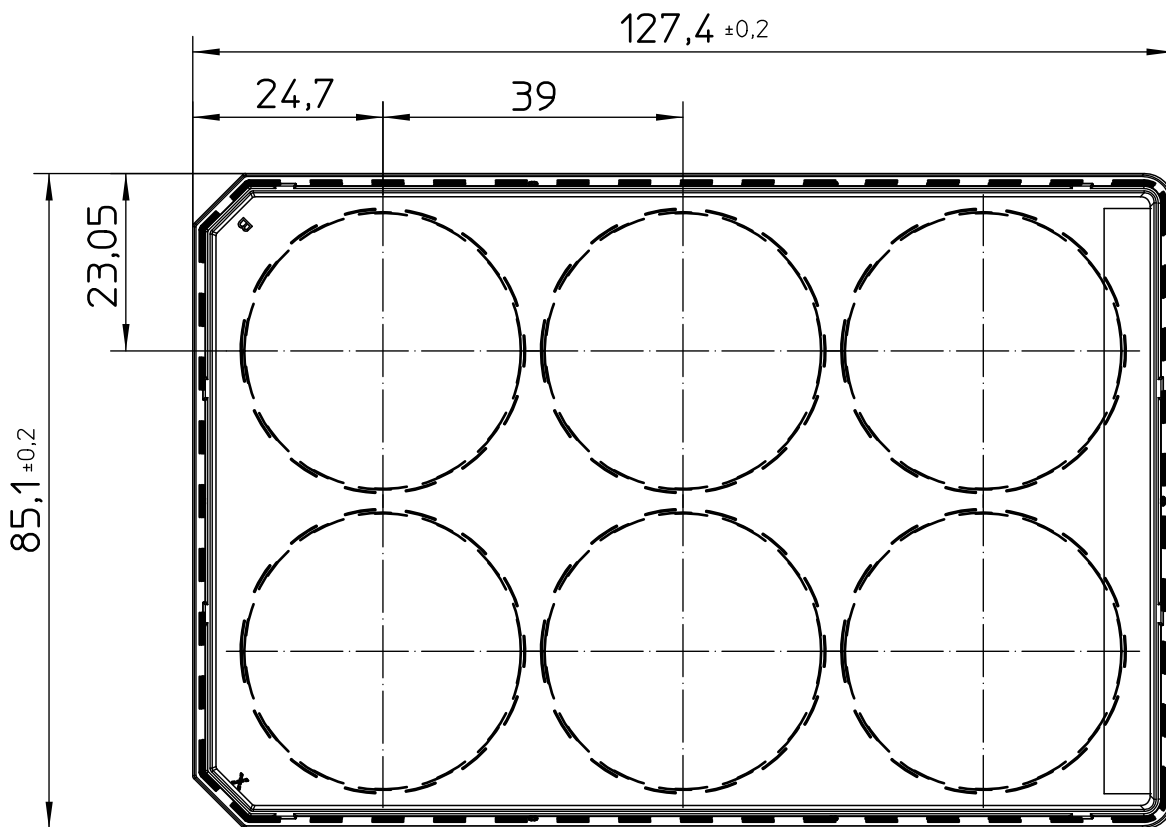
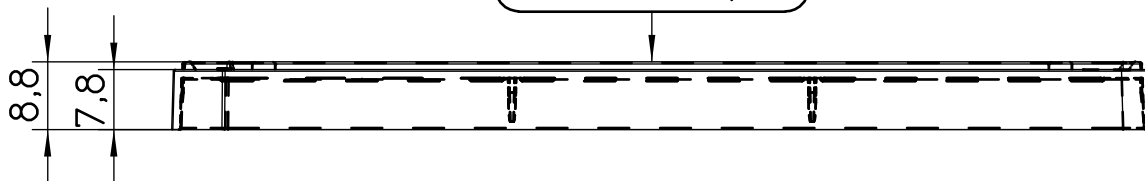
Prior Issue	Drawn	Approved	Released	CONFIDENTIAL: Information contained in this document or drawing is confidential and proprietary to Greiner Bio-One GmbH. This document may not be reproduced for any reason without written permission from Greiner Bio-One GmbH. All rights of design, invention, and copyright are reserved.
Revision	Date	Date	Date	
7	2011/06/22	2018/11/28	2018/11/28	
Date	Name	Name	Name	
2018/03/02	forb	forb	sonntag	



Valid for Item-No.: 657102, 657160, 657185



Curvature +0,3
-0,1



"All dimensions in mm"

Customer drawing subject to change without notice!

Uncontrolled Copy

Prior Issue	Drawn	Approved	Released	CONFIDENTIAL: Information contained in this document or drawing is confidential and proprietary to Greiner Bio-One GmbH. This document may not be reproduced for any reason without written permission from Greiner Bio-One GmbH. All rights of design, invention, and copyright are reserved.
Revision 7	Date 2011/06/22	Date 2018/11/28	Date 2018/11/28	
Date 2018/03/02	Name forb	Name forb	Name sonntag	