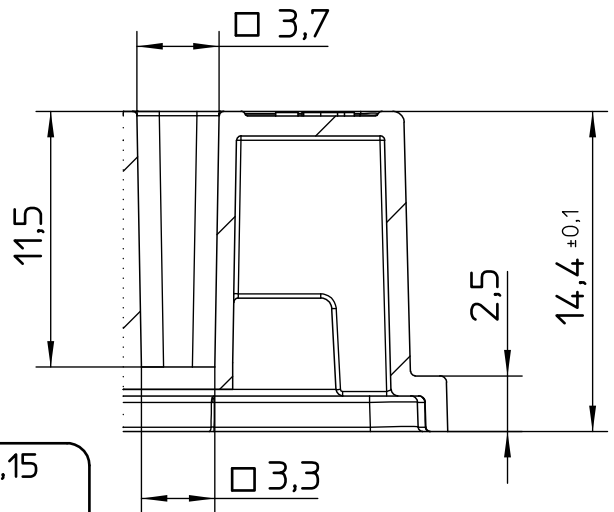
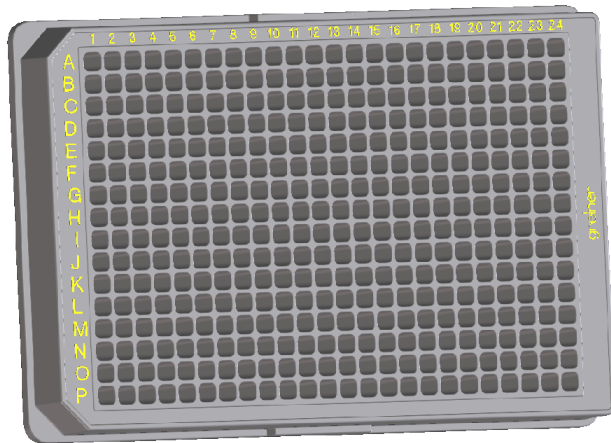
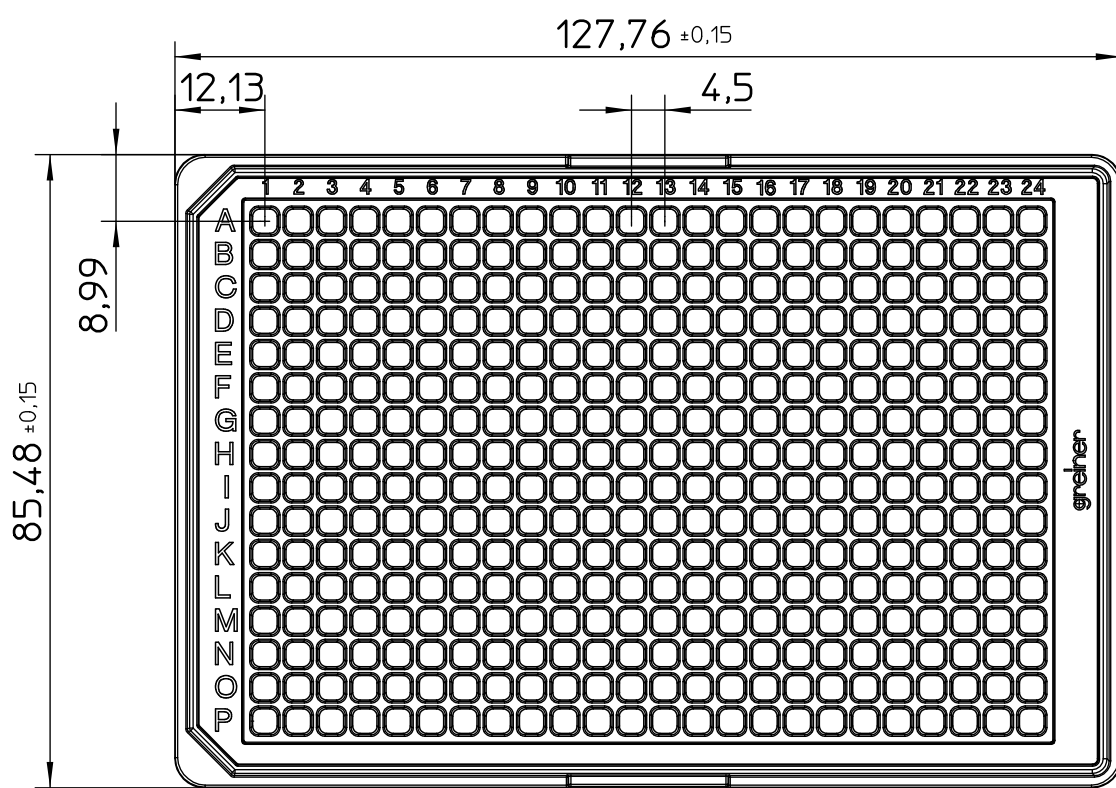
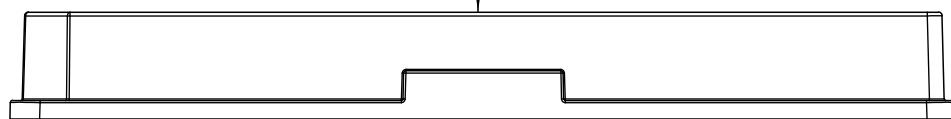


Valid for Item-No.: 781061, 781101, 781162, 781165, 781182, 781185, 781186



Curvature +0,15  
-0,15



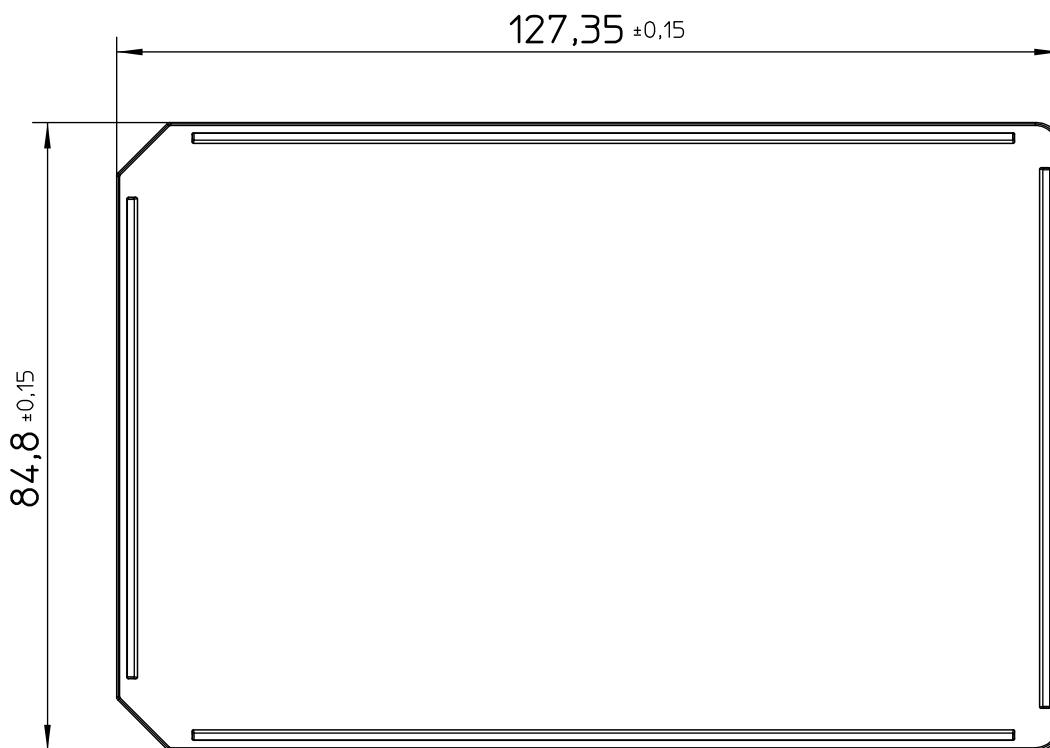
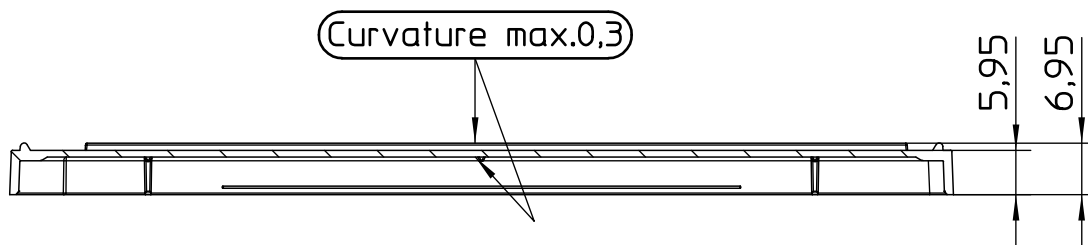
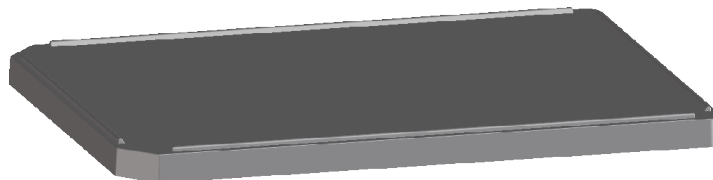
"All dimensions in mm"

Customer drawing subject to change without notice!

Uncontrolled Copy

Prior Issue	Drawn	Approved	Released	CONFIDENTIAL: Information contained in this document or drawing is confidential and proprietary to Greiner Bio-One GmbH. This document may not be reproduced for any reason without written permission from Greiner Bio-One GmbH. All rights of design, invention, and copyright are reserved.
Revision 2	Date 2014/04/29	Date 2021/06/15	Date 2021/07/28	
Date 2015/01/23	Name schwarzej	Name forb	Name kessler	

Valid for Item-No.: 781061, 781101, 781162, 781165, 781182, 781185, 781186



Only Item-No. 781182, 781185, 781186 with lid

"All dimensions in mm"  
Customer drawing subject to change without notice!

Uncontrolled Copy

Prior Issue	Drawn	Approved	Released	CONFIDENTIAL: Information contained in this document or drawing is confidential and proprietary to Greiner Bio-One GmbH. This document may not be reproduced for any reason without written permission from Greiner Bio-One GmbH. All rights of design, invention, and copyright are reserved.
Revision 2	Date 2014/04/29	Date 2021/06/15	Date 2021/07/28	
Date 2015/01/23	Name schwarzj	Name forb	Name kessler	