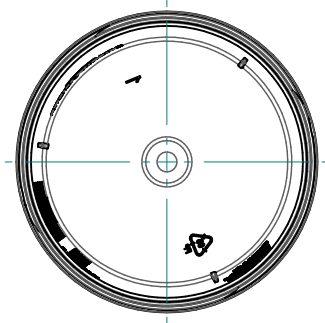
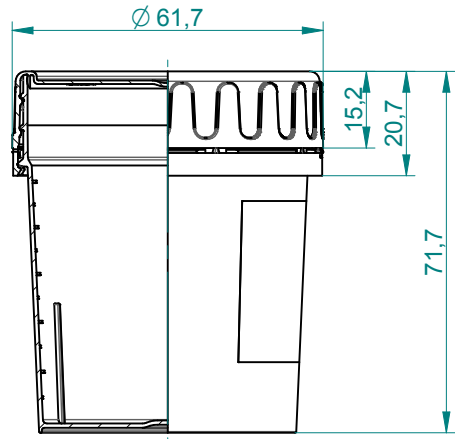
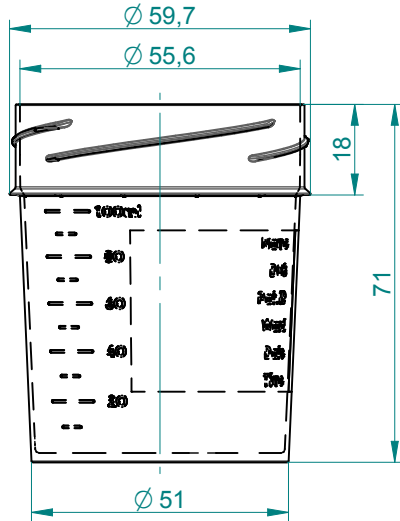


Valid for Item-No.: 724170 = Lid
724401 = Beaker
724402 & 724461 = complete



"All dimensions in mm"

Customer drawing subject to change without notice!

Uncontrolled Copy

| | | | | |
|-------------|------------|-------------|-------------|--|
| Prior Issue | Drawn | Approved | Released | <small>CONFIDENTIAL:</small> Information contained in this document or drawing is confidential and proprietary to Greiner Bio-One GmbH. This document may not be reproduced for any reason without written permission from Greiner Bio-One GmbH. All rights of design, invention, and copyright are reserved. |
| Revision | Date | Date | Date | |
| - | 15.02.2017 | Feb. 2017 | Feb. 2017 | |
| Date | Name | Name | Name | |
| - | G. Kofler | Ch. Rathner | Ch. Rathner | |