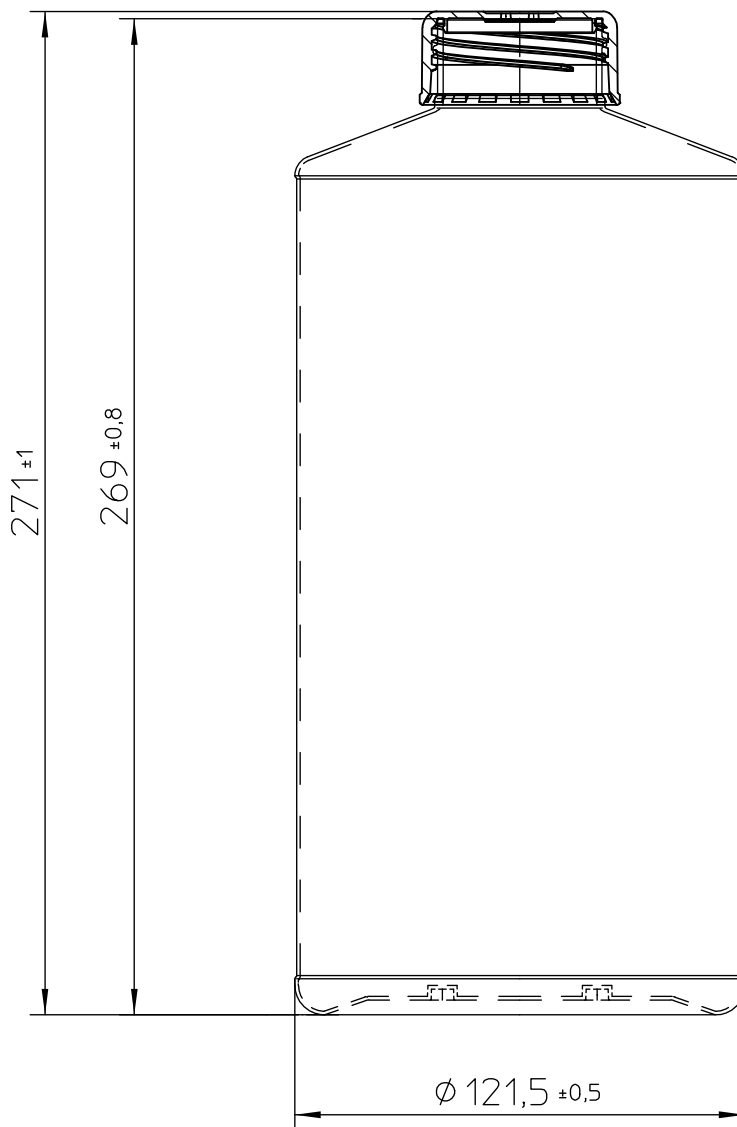




Valid for Item-No.: 680045, 680058, 680068



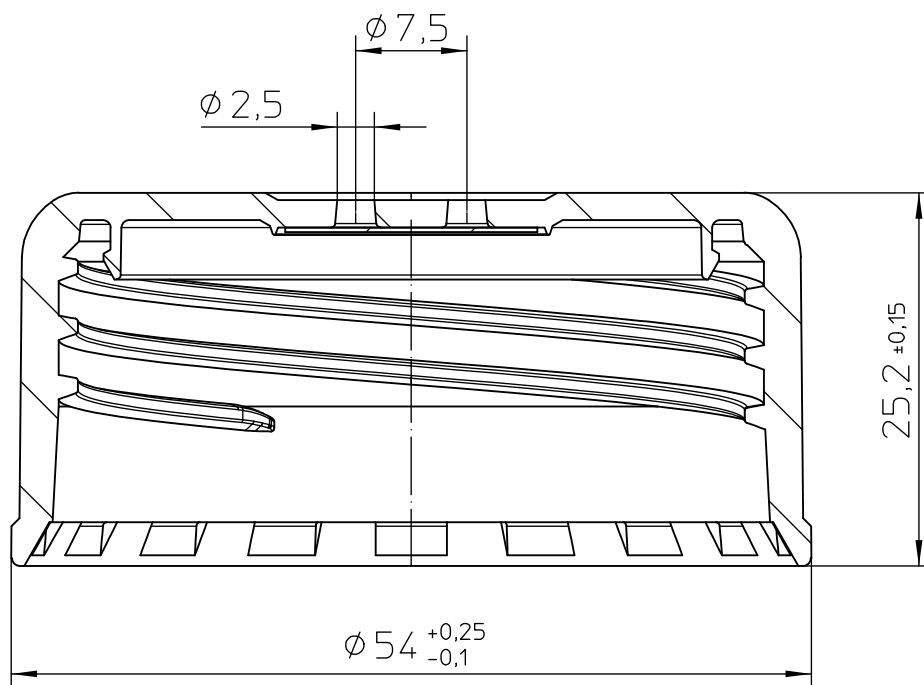
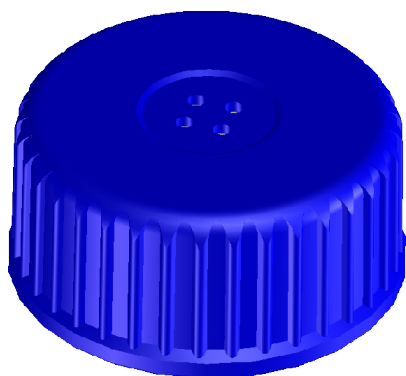
"All dimensions in mm"

Customer drawing subject to change without notice!

Uncontrolled Copy

Prior Issue	Drawn	Approved	Released	CONFIDENTIAL: Information contained in this document or drawing is confidential and proprietary to Greiner Bio-One GmbH. This document may not be reproduced for any reason without written permission from Greiner Bio-One GmbH. All rights of design, invention, and copyright are reserved.
Revision 1	Date 2011/02/07	Date 2013/10/25	Date 2013/10/25	
Date 2011/02/07	Name falter	Name schwarzj	Name sonntag	

Valid for Item-No.: 680045, 680058, 680068



"All dimensions in mm"

Customer drawing subject to change without notice!

Uncontrolled Copy

Prior Issue	Drawn	Approved	Released	CONFIDENTIAL: Information contained in this document or drawing is confidential and proprietary to Greiner Bio-One GmbH. This document may not be reproduced for any reason without written permission from Greiner Bio-One GmbH. All rights of design, invention, and copyright are reserved.
Revision 1	Date 2011/02/07	Date 2013/10/25	Date 2013/10/25	
Date 2011/02/07	Name falter	Name schwarzj	Name sonntag	