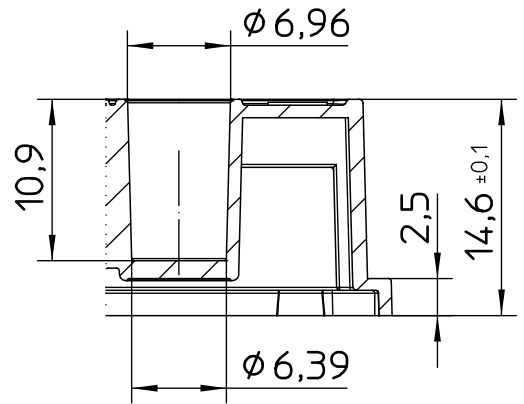
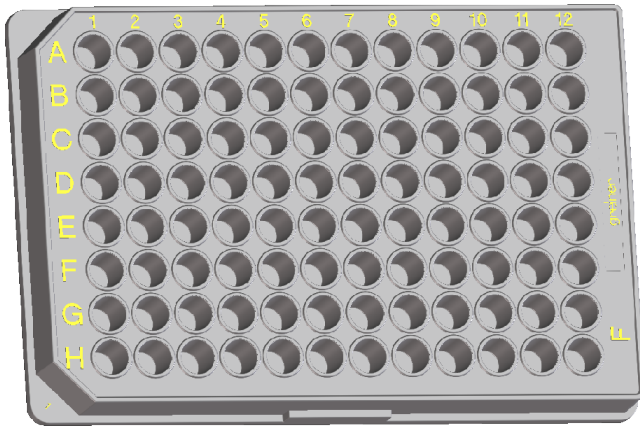
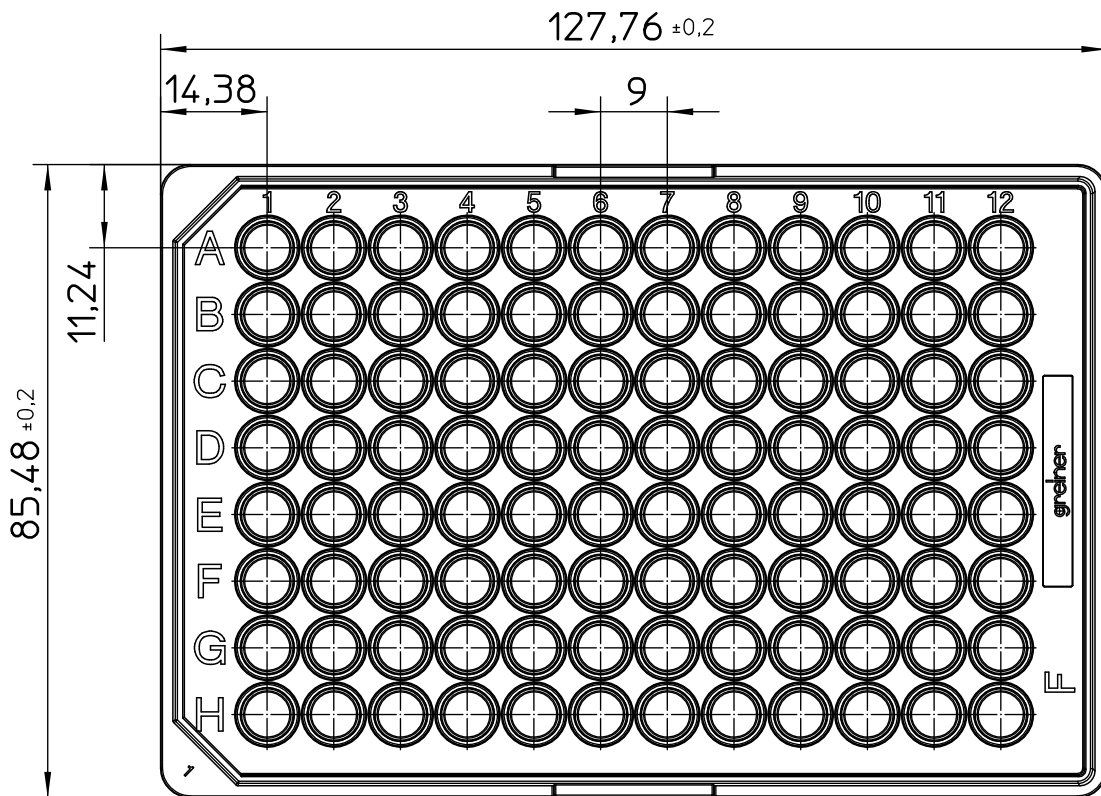
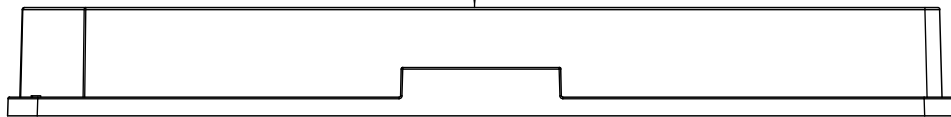


Valid for Item-No.: 655001, 655061



Curvature max. 0,2



"All dimensions in mm"

Customer drawing subject to change without notice!

Uncontrolled Copy

Prior Issue	Drawn	Approved	Released	CONFIDENTIAL: Information contained in this document or drawing is confidential and proprietary to Greiner Bio-One GmbH. This document may not be reproduced for any reason without written permission from Greiner Bio-One GmbH. All rights of design, invention, and copyright are reserved.
Revision 4	Date 2011/04/28	Date 2022/08/08	Date 2022/08/18	
Date 2021/09/29	Name forb	Name forb	Name kleber	