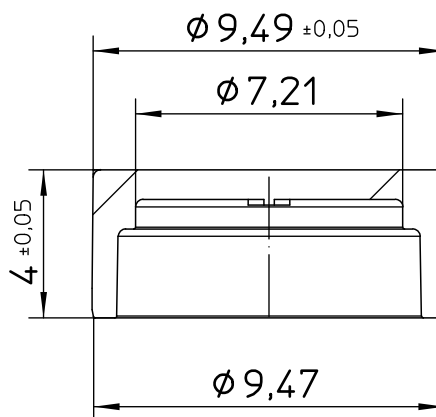
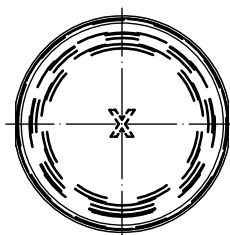
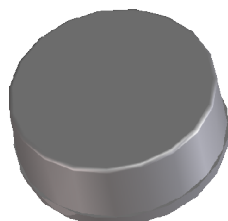


Valid for Item-No.: 304123



"All dimensions in mm"

Customer drawing subject to change without notice!

Uncontrolled Copy

Prior Issue	Drawn	Approved	Released	<small>CONFIDENTIAL: Information contained in this document or drawing is confidential and proprietary to Greiner Bio-One GmbH. This document may not be reproduced for any reason without written permission from Greiner Bio-One GmbH. All rights of design, invention, and copyright are reserved.</small>
Revision	Date	Date	Date	
2	2018/07/25	2021/03/31	2021/03/31	
Date	Name	Name	Name	
2020/04/08	forb	forb	kessler	